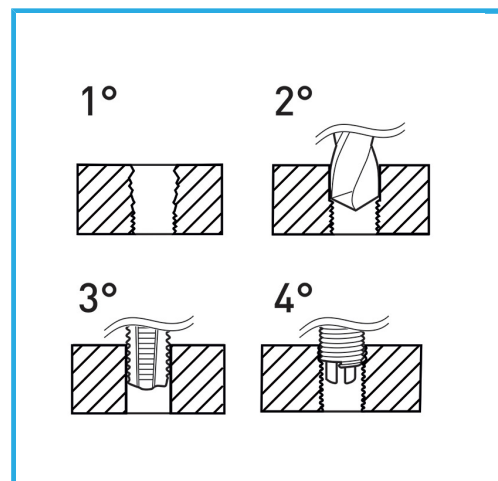


SUITABLE FOR THREAD REGENERATION OR TO OBTAIN VERY RESISTANT TAPPING IN SOFT MATERIALS.



<b>Sizes</b>	M5 - M12
<b>STI Taps</b>	M5 x 0.8 - M6 x 1.0 - M8 x 1.25 - M10 x 1.5 - M12 x 1.75
<b>Drills</b>	5.2 mm - 6.3 mm - 8.3 mm - 10.4 mm - 12.4 mm
<b>Wire-thread inserts</b>	M5=25 M6=25 M8=25 M10=25 M12=10
<b>Inserting tool</b>	5 Pcs
<b>Tang break tool</b>	5 Pcs
<b>Gross weight</b>	2,38 kg
<b>EAN Code</b>	8012667243999



Carrying case



HSS -



INOX -



130 Pcs