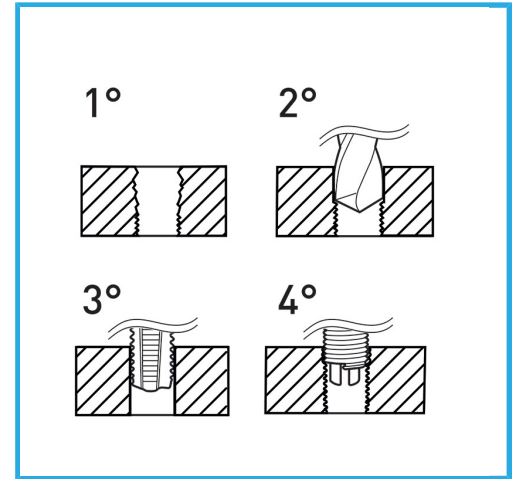


SUITABLE FOR THREAD REGENERATION OR TO OBTAIN VERY RESISTANT TAPPING IN SOFT MATERIALS.



Thread insert	M14 x 1,25
Drill	14,4 mm
Tap	x M14 x 1,25
Handle	2
Gross weight	0,79 kg
EAN Code	8012667249984



Hangable

HSS



INOX