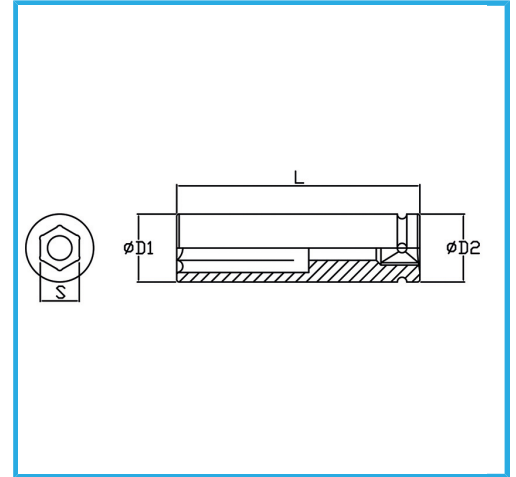


DIN 3129.



Size	21 mm
D1	38 mm
D2	54 mm
Length	90 mm
Gross weight	0,83 kg
EAN Code	8012667273200



Phosphated



1"



3129



-



-