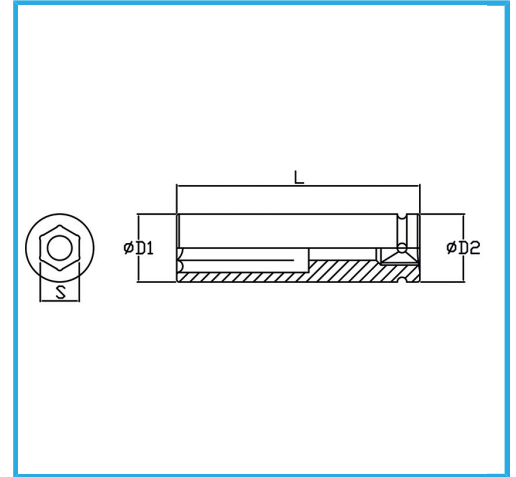
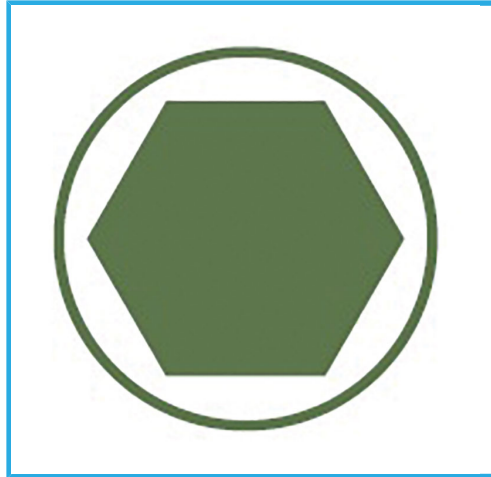


DIN 3129.



Size	28 mm
D1	47 mm
D2	54 mm
Length	90 mm
Gross weight	0,89 kg
EAN Code	8012667273255



Phosphated



1"



-



Cr-Mo