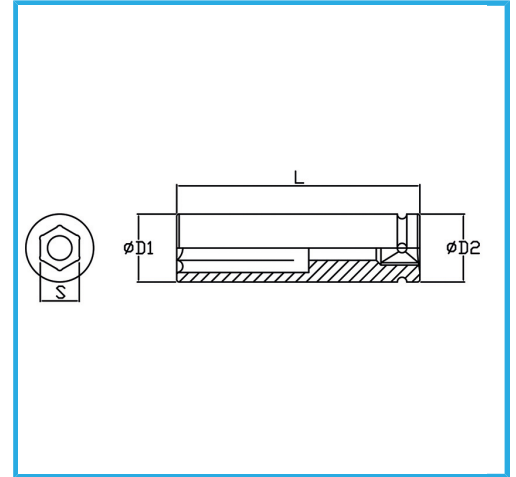


DIN 3129.



Size	75 mm
D1	104 mm
D2	86 mm
Length	135 mm
Gross weight	4,00 kg
EAN Code	8012667272999



Phosphated



1"



-



Cr-Mo

-