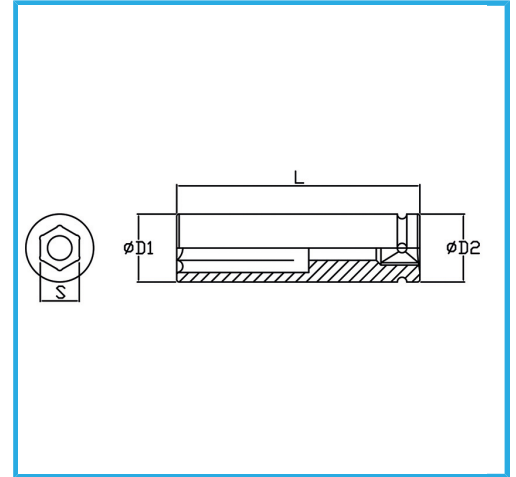


DIN 3129.



<b>Size</b>	85 mm
<b>D1</b>	115 mm
<b>D2</b>	86 mm
<b>Length</b>	140 mm
<b>Gross weight</b>	5,41 kg
<b>EAN Code</b>	8012667273484



Phosphated



1"



-



Cr-Mo

-