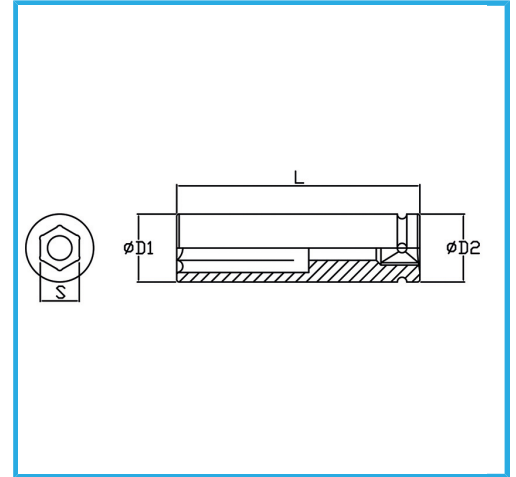


DIN 3129.



Size	95 mm
D1	130 mm
D2	86 mm
Length	140 mm
Gross weight	6,03 kg
EAN Code	8012667273002



Phosphated



1"



Cr-Mo