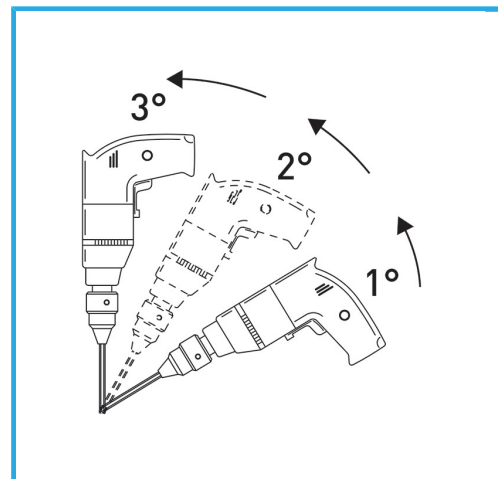
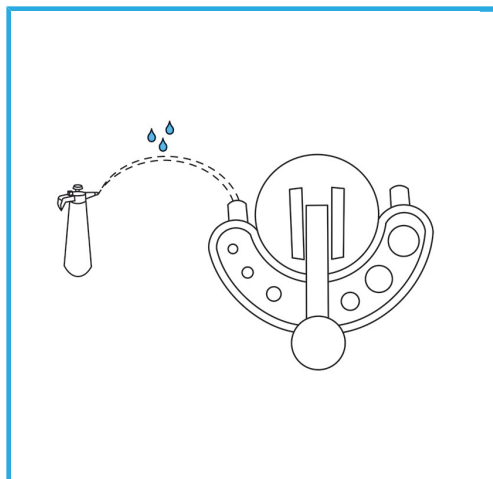


THE THIN-WALL DIAMOND CORE GUARANTEES BURR-FREE CUTS.
THIS FEATURE FACILITATES DRILLING WORK ON HARD LAID TILES,
WHERE IT IS...



Drills	Ø 5 - 6 - 8 - 10 - 12 mm
Total length	60 mm
Cutting Depth	30 mm
Diamond height	3 mm
Grit	70/80
Gross weight	0,23 kg
EAN Code	8012667277116



Hangable



6 Pcs



1/4"