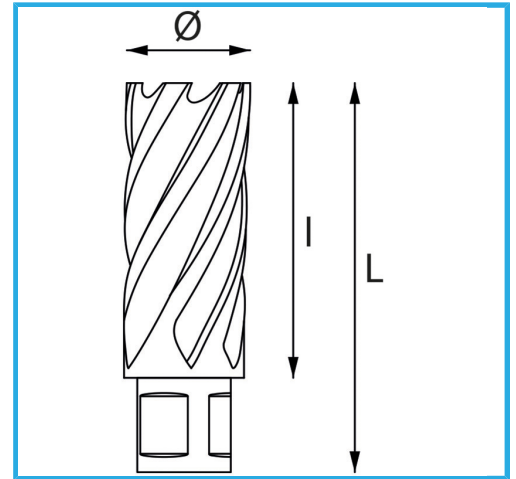
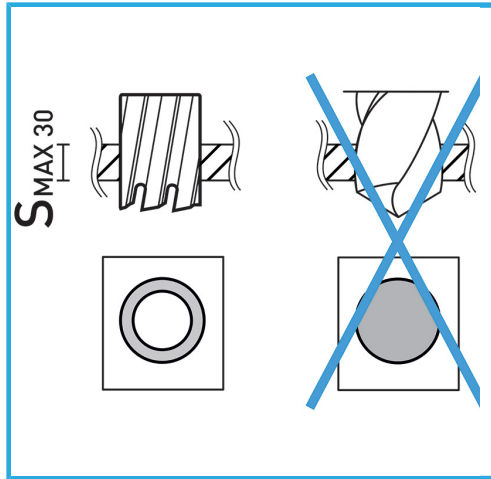


ALLOWS A VERY FAST CUT, DOES NOT REQUIRE PRE-DRILLING AND DOES NOT CREATE ANY BURR FORMATION THANKS TO THE LOWER EFFORT OF THE...



Ø	15 mm
Cutting capacity	30 mm
Total length	62 mm
Gross weight	0,08 kg
EAN Code	8012667291273



Hangable

HSS  
CO 5%