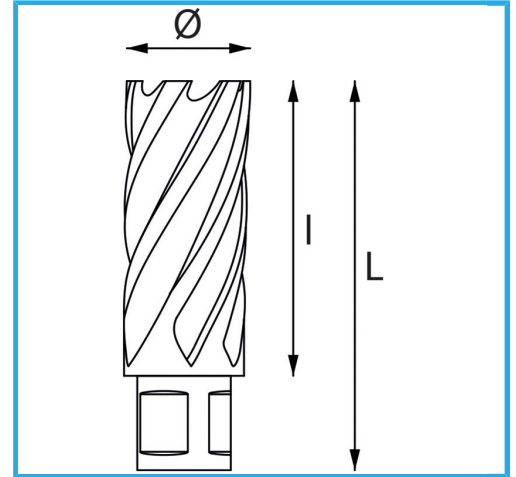
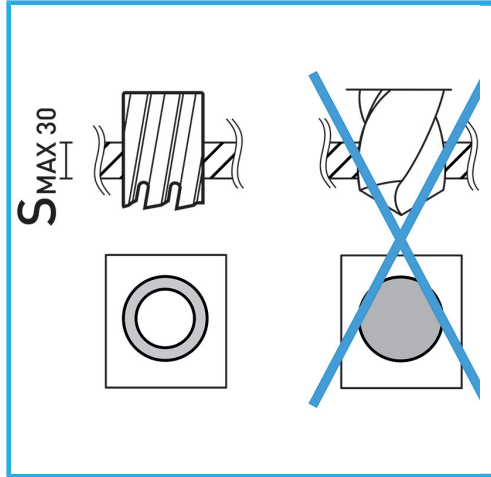


ALLOWS A VERY FAST CUT, DOES NOT REQUIRE PRE-DRILLING AND DOES NOT CREATE ANY BURR FORMATION THANKS TO THE LOWER EFFORT OF THE...



|                  |               |
|------------------|---------------|
| Ø                | 47 mm         |
| Cutting capacity | 50 mm         |
| Total length     | 85 mm         |
| Gross weight     | 0,34 kg       |
| EAN Code         | 8012667292492 |



Hangable

HSS  
CO 5%