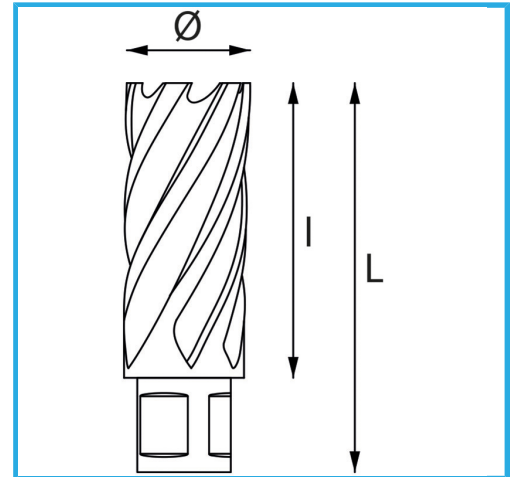
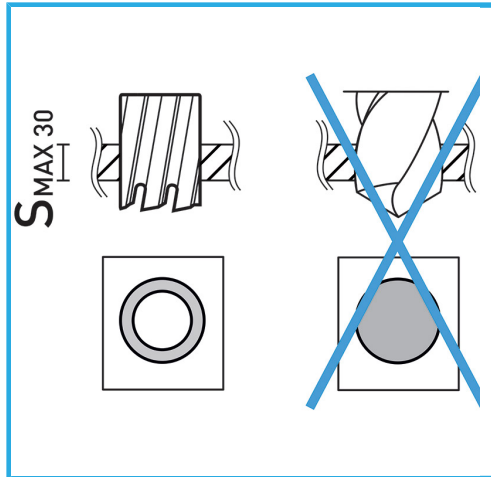


ALLOWS A VERY FAST CUT, DOES NOT REQUIRE PRE-DRILLING AND DOES NOT CREATE ANY BURR FORMATION THANKS TO THE LOWER EFFORT OF THE...



Cutting capacity

Ø

Total length

Gross weight

EAN Code

30 mm

19 mm

62 mm

0,10 kg

8012667291754



Hangable

HSS