











**CALIPERS, HEIGHT GAUGE
AND RULERS**

- p. 538  – Digital calipers
- p. 538  – Calipers with dial gauge
- p. 539  – Vernier calipers
- p. 540  – Height gauge
- p. 544  – Steel and digital rules


**DIAL
INDICATORS**

- p. 546  – Dial indicators
- p. 548  – Dial thickness gauges
- p. 549  – Edge finders






MICROMETERS

- p. 550  – Outside micrometers
- p. 551  – Inside micrometers


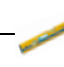


**GAUGE BLOCKS, SCREW GAUGE
AND HOLE PLAIN GAUGE**

- p. 552  – Gauge blocks
- p. 553  – Gauges







**MEASURING
TOOLS**

- p. 555  – Magnetic base
- p. 558  – Inspection plates
- p. 558  – Squares
- p. 560  – Screw pitch gauge



**PRECISION TAPES, LEVELS
AND GONIOMETERS**

- p. 563  – Precision tapes
- p. 564  – Levels
- p. 566  – Protractors


**ANALOGIC AND
DIGITAL METERS**

- p. 567  – Endoscopes
- p. 568  – Testers
- p. 569  – Digital meters
- p. 573  – Refractometers
- p. 574  – Hardness testers


**SCALES AND
DYNAMOMETERS**

- p. 576  – Scales
- p. 577  – Dinamometers

C031/150

PRO € 176,00

STAINLESS STEEL ELECTRONIC DIGITAL CALIPER

With 2 functions and a big screen



Range	0÷150 mm 0÷6"
Reading	0,01 mm 0,0005"
Jaws	40 mm
Beam	16 x 3 mm

C035-

PRO NEW

STAINLESS STEEL ELECTRONIC DIGITAL CALIPER

With glass rail for better accuracy, metal housing and buttons, data output with mini USB port, removable thumbroll, ground and lapped jaws, with locking screw.



Art.	€	Range	Reading	Accuracy	Repeatability	Beam	Jaws	Back Jaws	Battery	Digit height
C035/150	€ 69,20	0÷150 mm 0÷6"	0,01 mm 0,0005"	0,02 mm	0,01 mm	16 x 3 mm	40 mm	16,5 mm	1 x 3V CR2032	9 mm
C035/200	€ 95,10	0÷200 mm 0÷8"	0,01 mm 0,0005"	0,03 mm	0,01 mm	16 x 3 mm	50 mm	19,5 mm	1 x 3V CR2032	9 mm
C035/300	€ 166,00	0÷300 mm 0÷12"	0,01 mm 0,0005"	0,03 mm	0,01 mm	16 x 3 mm	60 mm	20,5 mm	1 x 3V CR2032	9 mm

C033-

STAINLESS STEEL ELECTRONIC DIGITAL CALIPER

With 3 functions and a big screen



Art.	€	Range	Reading	Beam	Jaws
C033/150	€ 61,00	0÷150 mm 0÷6"	0,01 mm 0,0005"	16 x 3,2 mm	40 mm
C033/200	€ 88,80	0÷200 mm 0÷8"	0,01 mm 0,0005"	16 x 3,2 mm	50 mm
C033/300	€ 132,00	0÷300 mm 0÷12"	0,01 mm 0,0005"	16 x 3,2 mm	60 mm

C041/150

€ 34,20

MONOBLOCK STAINLESS STEEL ELECTRONIC DIGITAL CALIPER

3 functions with big lcd



Range	0÷150 mm 0÷6"
Reading	0,01 mm 0,0005"
Jaws	40 mm
Beam	16 x 3 mm



C043-

STAINLESS STEEL ELECTRONIC DIGITAL CALIPER

With 4 functions and big lcd, fine adjustment



Art.	€	Range	Reading	Jaws	Beam
C043/500	€ 325,00	0÷500 mm 0÷20"	0,01 mm 0,0005"	100 mm	25 x 6 mm
C043/1000	€ 650,00	0÷1000 mm 0÷40"	0,01 mm 0,0005"	150 mm	30 x 8 mm

C047-

PRO NEW

STAINLESS STEEL ELECTRONIC DIGITAL CALIPER

Hardened stainless steel mechanics, large easy-to-read LCD screen, "Absolute" function, measuring jaws ground and lapped, with locking screw, offset jaws for inside measurement, with fine adjustment



Art.	€	Range	Reading	Accuracy	Repeatability	Jaws	Back Jaws	Battery	Digit height
C047/300	€ 212,00	0÷300 mm 0÷12"	0,01 mm 0,0005"	0,03 mm	0,01 mm	90 mm	Ø 10 mm	2 x 3V CR2032	11 mm
C047/500	€ 358,00	0÷500 mm 0÷20"	0,01 mm 0,0005"	0,05 mm	0,01 mm	150 mm	Ø 20 mm	2 x 3V CR2032	11 mm
C047/1000	€ 795,00	0÷1000 mm 0÷40"	0,01 mm 0,0005"	0,06 mm	0,01 mm	150 mm	Ø 20 mm	2 x 3V CR2032	11 mm

C047-xB

PRO NEW

STAINLESS STEEL ELECTRONIC DIGITAL CALIPER WITH KNIFE POINTS

Hardened stainless steel mechanics, large easy-to-read LCD screen, "Absolute" function, measuring jaws ground and lapped, with locking screw, offset jaws for inside measurement, with fine adjustment



Art.	€	Range	Reading	Accuracy	Repeatability	Jaws	Back Jaws	Knife points	Battery	Digit height
C047/300B	€ 240,00	0÷300 mm 0÷12"	0,01 mm 0,0005"	0,03 mm	0,01 mm	90 mm	Ø 10 mm	38 mm	2 x 3V CR2032	11 mm
C047/500B	€ 388,00	0÷500 mm 0÷20"	0,01 mm 0,0005"	0,05 mm	0,01 mm	150 mm	Ø 20 mm	60 mm	2 x 3V CR2032	11 mm
C047/1000B	€ 937,00	0÷1000 mm 0÷40"	0,01 mm 0,0005"	0,06 mm	0,01 mm	150 mm	Ø 20 mm	63 mm	2 x 3V CR2032	11 mm

C005/150

€ 53,70

STAINLESS STEEL DIAL CALIPER



Range	0 ÷ 150 mm
Reading	0,01 mm
Jaws	40 mm
Beam	15,5 x 3 mm

C006-
STAINLESS STEEL DIAL CALIPER


Art.	€	Range	Reading	Jaws	Beam
C006/150	€ 48,10	0 ÷ 150 mm	0,02 mm	40 mm	16 x 3 mm
C006/200	€ 73,30	0 ÷ 200 mm	0,02 mm	50 mm	16 x 3 mm
C006/300	€ 119,00	0 ÷ 300 mm	0,02 mm	60 mm	20 x 4 mm

C018-
PRO
MONOBLOCK STAINLESS STEEL CHROMED VERNIER CALIPER


Art.	€	Range	Reading	Jaws	Beam
C018/150	€ 36,20	0÷150 mm 0÷6"	1/20 0,05 mm 1/128"	40 mm	16 x 3 mm
C018/200	€ 56,30	0÷200 mm 0÷8"	1/50 0,02 mm 1/1000"	50 mm	16 x 3 mm

C057/150
€ 20,80
CHROMED VERNIER CALIPER


Range	0÷150 mm 0÷6"
Reading	1/20 0,05 mm 1/128"
Jaws	40 mm
Beam	16 x 3 mm

C011-
PRO
MONOBLOCK STAINLESS STEEL CHROMED VERNIER CALIPER

High precision, with wheel for slider locking, measuring range 0 - 200mm



Art.	€	Range	Reading	Jaws	Beam
C011/150	€ 39,50	0÷150 mm 0÷6"	1/50 0,02 mm 1/1000"	40 mm	16 x 3 mm
C011/200	€ 65,40	0÷200 mm 0÷8"	1/50 0,02 mm 1/1000"	50 mm	16 x 3 mm



C019/150

€ 16,50

CHROMED VERNIER CALIPER



Range	0÷150 mm 0÷6"
Reading	1/20 0,05 mm 1/128"
Jaws	40 mm
Beam	16 x 3 mm



C056/200

€ 28,90

CHROMED VERNIER CALIPER



Range	0÷200 mm 0÷8"
Reading	1/50 0,02 mm 1/1000"
Jaws	50 mm
Beam	16,5 x 3,5 mm

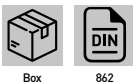


C049/300

€ 61,00

CHROMED VERNIER CALIPER

Fine adjustment



Range	0 ÷ 300 mm
Reading	1/50 - 0,02 mm
Jaws	60 mm
Beam	20 x 4 mm



C021-

PRO

MONOBLOCK STAINLESS STEEL CHROMED VERNIER CALIPER

Fine adjustment



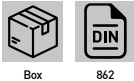
Art.	€	Range	Reading	Jaws	Beam
C021/300	€ 171,00	0÷300 mm 0÷12"	1/50 0,02 mm 1/1000"	100 mm	23 x 6 mm
C021/500	€ 235,00	0÷500 mm 0÷20"	1/50 0,02 mm 1/1000"	150 mm	23 x 6 mm
C021/1000	€ 525,00	0÷1000 mm 0÷40"	1/50 0,02 mm 1/1000"	150 mm	32 x 10 mm



C020-

CHROMED VERNIER CALIPER

Fine adjustment



Art.	€	Range	Reading	Jaws	Beam
C020/500	€ 148,00	0 ÷ 500 mm	1/50 0,02 mm	100 mm	23 x 6 mm
C020/1000	€ 365,00	0 ÷ 1000 mm	1/50 0,02 mm	150 mm	30 x 10 mm
C020/1500	€ 1020,00	0 ÷ 1500 mm	1/50 0,02 mm	225 mm	49 x 14 mm
C020/2000	€ 1650,00	0 ÷ 2000 mm	1/50 0,02 mm	250 mm	50 x 15 mm

C044-

STAINLESS STEEL ELECTRONIC DIGITAL DEPTH GAUGE

With 3 functions with big display



Art.	€	Range	Reading	Base	Beam
C044/200	€ 86,10	0÷200 mm 0÷8"	0,01 mm 0,0005"	100 mm	13 x 3,5 mm
C044/300	€ 148,00	0÷300 mm 0÷12"	0,01 mm 0,0005"	150 mm	15 x 4 mm

C007-

CHROMED VERNIER DEPTH GAUGE



Art.	€	Range	Reading	Base	Beam
C007/200	€ 37,30	0 ÷ 200 mm	1/50 0,02 mm	100 mm	9,6 x 4,5 mm
C007/300	€ 51,20	0 ÷ 300 mm	1/50 0,02 mm	100 mm	12 x 4 mm

C010/200

€ 53,90

SCRATCH VERNIER CALIPER

C010/200P € 7,90

**2-BIT SET FOR CALIPER
C010/200**



Range	0÷200 mm 0÷8"
Reading	1/10 0,1 mm 1/64"
Jaws	10 mm
Beam	16 x 3 mm





CF08

NEW € 8,40

GAUGE TO MEASURE WHEEL NUT HOLES CENTER DISTANCE

Handy tool for measuring the hole circle on steel and aluminium rims. Suitable for 4 -, 5 -, 6 - and 8-hole rims



Box

Range 4-8 LUG 100 ÷ 210 mm

T092-

ELECTRONIC DIGITAL MULTI FUNCTION HEIGHTGAUGE

With 4 functions and big display, with scriber



Box

Art.	€	Range	Reading	Accuracy	Net weight
T092/300	€ 542,00	0÷300 mm 0÷12"	0,01 mm 0,0005"	0,03 mm 0,015"	4 kg
T092/600	€ 901,00	0÷600 mm 0÷24"	0,01 mm 0,0005"	0,05 mm 0,025"	9 kg

T093-

PRO NEW

ELECTRONIC DIGITAL MULTI FUNCTION HEIGHTGAUGE

With integrated Bluetooth technology, stainless steel guide bar, with hand wheel for quick adjustment, "Absolute" function, carbide tipped steel scriber, with data connection for digital gauges, with built-in connection for external power supply, cast iron base



Box

INOX

Art.	€	Range	Reading	Accuracy	Repeatability	Beam	Base dimensions
T093/300	€ 710,00	0÷300 mm 0÷12"	0,01 mm 0,0005"	0,03 mm	0,02 mm	35 x 15 mm	150 x 100 x 50 mm
T093/600	€ 1020,00	0÷600 mm 0÷24"	0,01 mm 0,0005"	0,05 mm	0,02 mm	35 x 15 mm	150 x 100 x 50 mm

T100-

VERNIER HEIGHTGAUGE CHROME PLATED

With scriber



Box

Art.	€	Range	Reading	Net weight
T100/300	€ 110,00	0 ÷ 300 mm	0,02 mm	2 kg
T100/500	€ 218,00	0 ÷ 500 mm	0,02 mm	5,5 kg

REAx-FS
STAINLESS STEEL RULE

Etched scale for easier reading; flexible version, reading from left to right, non glare matte surface.



Art.	€	Length	Stem
REA0150/FS	€ 3,10	150 mm	13 x 0.5 mm
REA0300/FS	€ 4,12	300 mm	13 x 0.5 mm
REA0500/FS	€ 7,20	500 mm	18 x 0.5 mm
REA1000/FS	€ 17,30	1000 mm	18 x 0.5 mm


REAx-FD
STAINLESS STEEL RULE

Etched scale for easier reading; flexible version, reading from right to left, non glare matte surface.



Art.	€	Length	Stem
REA0150/FD	€ 3,10	150 mm	13 x 0.5 mm
REA0300/FD	€ 4,12	300 mm	13 x 0.5 mm
REA0500/FD	€ 7,20	500 mm	18 x 0.5 mm
REA1000/FD	€ 17,30	1000 mm	18 x 0.5 mm


REAx-RS
STAINLESS STEEL RULE

Etched scale for easier reading; semi rigid version, reading from left to right, non glare matte surface



Art.	€	Length	Stem
REA0300/RS	€ 7,90	300 mm	30 x 1.0 mm
REA0500/RS	€ 16,50	500 mm	30 x 1.0 mm
REA1000/RS	€ 31,50	1000 mm	30 x 1.0 mm
REA2000/RS	€ 58,60	2000 mm	30 x 1.0 mm


REAx-RD
STAINLESS STEEL RULE

Etched scale for easier reading; semi rigid version, reading from right to left, non glare matte surface.



Art.	€	Length	Stem
REA0300/RD	€ 7,90	300 mm	30 x 1.0 mm
REA0500/RD	€ 16,50	500 mm	30 x 1.0 mm
REA1000/RD	€ 31,50	1000 mm	30 x 1.0 mm
REA2000/RD	€ 58,60	2000 mm	30 x 1.0 mm


REAx-RS-MID
STAINLESS STEEL RULE MID

Etched scale for easier reading; semi rigid version, reading from left to right, non glare matte surface, EC II tolerance MID.



Art.	€	Length	Stem
REA0500/RS/MID	€ 19,40	500 mm	30 x 1.0 mm
REA1000/RS/MID	€ 37,80	1000 mm	30 x 1.0 mm
REA2000/RS/MID	€ 75,50	2000 mm	30 x 1.0 mm





REAx-RD-MID

STAINLESS STEEL RULE MID

Etched scale for easier reading; semi rigid version, reading from right to left, non glare matte surface, EC II tolerance MID.



INOX



Hangable



Art.	€	Length	Stem
REA0500/RD/MID	€ 19,40	500 mm	30 x 1.0 mm
REA1000/RD/MID	€ 37,80	1000 mm	30 x 1.0 mm
REA2000/RD/MID	€ 75,50	2000 mm	30 x 1.0 mm

RLAx-RS-MID

STAINLESS STEEL RULE MID

Laser engraved scale for easier reading; semi rigid version, reading from left to right, non glare matte surface, EC II tolerance MID.



INOX



Hangable



Art.	€	Length	Stem
RLA0500/RS/MID	€ 50,60	500 mm	30 x 1.0 mm
RLA1000/RS/MID	€ 99,00	1000 mm	30 x 1.0 mm
RLA2000/RS/MID	€ 199,00	2000 mm	30 x 1.0 mm

RLAx-RD-MID

STAINLESS STEEL RULE MID

Laser engraved scale for easier reading; semi rigid version, reading from right to left, non glare matte surface, EC II tolerance MID



INOX



Hangable



Art.	€	Length	Stem
RLA0500/RD/MID	€ 50,60	500 mm	30 x 1.0 mm
RLA1000/RD/MID	€ 99,00	1000 mm	30 x 1.0 mm
RLA2000/RD/MID	€ 199,00	2000 mm	30 x 1.0 mm

REGx-FS

STAINLESS STEEL RULE WITH HOOK 90°

Etched scale for easier reading; flexible version, reading from left to right, non glare matte surface.



INOX



Hangable



Art.	€	Length	Stem
REG0200/FS	€ 11,90	200 mm	13 x 0.5 mm
REG0300/FS	€ 13,50	300 mm	13 x 0.5 mm
REG0500/FS	€ 26,70	500 mm	18 x 0.5 mm

Rx

SCALE WITH MULTIFUNCTION DIGITAL READOUT

The scale can be cut to reach the desired length functions: on/off - mm/inch - zero - abs/inc - auto power off.



Box

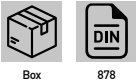


Art.	€	Total length	Range	Reading
R060	€ 82,00	630 mm - 24.8" inch	500 mm - 19.7"	0,01 mm 0.001"
R100	€ 107,00	1000 mm - 40" inch	900 mm - 35"	0,01 mm 0.001"

C064 € 105,00

MULTIFUNCTIONAL ELECTRONIC DIGITAL INDICATOR LARGE DISPLAY

Functions: zero point at any position, mm/inch, conversion, hold, min/max functions, auto power off.

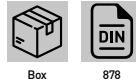


Range	0÷12,7 mm 0÷0,5"
Reading	0,01 mm 0,005"
Accuracy	0,02 mm 0,002"
Dial size	60 mm
Battery	SR44W

C060 **PRO** € 220,00

MULTIFUNCTIONAL ELECTRONIC DIGITAL INDICATOR LARGE DISPLAY

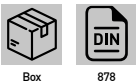
Functions: zero point at any position, mm/inch conversion, hold, min, max functions, auto power off.



Range	0÷12,7 mm 0÷0,5"
Reading	0,001 mm 0,0005"
Accuracy	0,005 mm 0,0025"
Dial size	60 mm
Battery	CR2025

C004 **PRO** € 86,50

DIAL INDICATOR

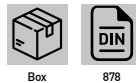


Dial size	60 mm
Range	0 ÷ 1 mm
Reading	0,001 mm
Accuracy	0,002 mm

C017 **PRO** € 59,90

SHOCKPROOF AND SPLASHPROOF DIAL INDICATOR

With movement on jewels, with back lug



Dial size	60 mm
Range	10 mm
Reading	0,01 mm
Accuracy	0,015 mm

C002 € 52,00

DIAL INDICATOR



Dial size	60 mm
Range	10 mm
Reading	0,01 mm
Accuracy	0,015 mm

C023 € 30,50

DIAL INDICATOR



Dial size	60 mm
Range	10 mm
Reading	0,01 mm
Accuracy	0,015 mm

C023G € 20,10

DIAL INDICATOR



Dial size	60 mm
Range	10 mm
Reading	0,01 mm
Accuracy	0,015 mm

C023/N € 34,50

DIAL INDICATOR



Dial size	60 mm
Range	10 mm
Reading	0,01 mm
Accuracy	0,015 mm



C002/42 € 37,50

DIAL INDICATOR



Dial size	42 mm
Range	5 mm
Reading	0,01 mm
Accuracy	0,015 mm

C048 € 73,40

DIAL INDICATOR

With back lug



Dial size	60 mm
Range	30 mm
Reading	0,01 mm
Accuracy	0,015 mm

T003-

DIAL TEST INDICATOR



Art.	€	Dial size	Range	Reading	Accuracy	Contact point
T003	€ 92,30	32 mm	0,8 mm	0,01 mm	0,015 mm	Ø 2 mm
T003G	€ 54,80	32 mm	0,8 mm	0,01 mm	0,008 mm	Ø 2 mm

T007-

DIAL TEST INDICATOR



Art.	€	Dial size	Range	Reading	Accuracy	Contact point
T007	€ 93,20	40 mm	0,8 mm	0,01 mm	0,011 mm	Ø 2 mm
T007G	€ 59,40	40 mm	0,8 mm	0,01 mm	0,008 mm	Ø 2 mm

T006 € 99,60

DIAL TEST INDICATOR WITH LONG CONTACT POINT



Dial size	40 mm
Range	0,8 mm
Reading	0,01 mm
Accuracy	0,011 mm
Contact point	Ø 2 mm
Contact point length	29 mm

T005 **PRO** € 110,00

DIAL TEST INDICATOR



Dial size	32 mm
Range	0,2 mm
Reading	0,002 mm
Accuracy	0,005 mm
Contact point	Ø 2 mm

T011 € 84,40

DIAL TEST INDICATOR



Dial size	32 mm
Range	0,8 mm
Reading	0,01 mm
Accuracy	0,011 mm
Contact point	Ø 2 mm

A016-
BORE GAUGE SET WITH DIAL INDICATOR



Box

Art.	€	Range	Reading	Depth
A016/6/10	€ 142,00	6 ÷ 10 mm	0,01 mm	40 mm
A016/10/18	€ 147,00	10 ÷ 18 mm	0,01 mm	100 mm
A016/18/35	€ 147,00	18 ÷ 35 mm	0,01 mm	125 mm
A016/35/50	€ 147,00	35 ÷ 50 mm	0,01 mm	150 mm
A016/50/160	€ 147,00	50 ÷ 160 mm	0,01 mm	150 mm
A016/160/250	€ 164,00	160 ÷ 250 mm	0,01 mm	400 mm
A016/250/450	€ 186,00	250 ÷ 450 mm	0,01 mm	400 mm

M055/120 € 95,90
DIAL THICKNESS GAUGE



Box

Range	0 ÷ 10 mm
Reading	0,01 mm
Throat depth	120 mm

C016 € 157,00
DIAL DEPTH GAUGE



Box

Range	0 ÷ 110 mm
Dial indicator range	0 ÷ 10 mm
Base dimensions	63 x 17 mm
Reading	0,01 mm
Extension bars	10 pz

M062 € 23,80
DIGITAL DIAL THICKNESS GAUGE



Box

Range	0÷12 mm - 0÷0,5"
Reading	0,01 mm 0,0005"
Throat depth	20 mm
Accuracy	±0,1 mm 0,004"

M055 € 63,00
DIAL THICKNESS GAUGE



Box

Range	0 ÷ 10 mm
Reading	0,01 mm
Throat depth	9 ÷ 16 mm

C014-
DIAL INSIDE GAUGE



Box

Art.	€	Range	Depth	Anvil	Reading
C014/15/35	€ 142,00	15 ÷ 35 mm	50 mm	Ø 3 x 3 mm	0,01 mm
C014/35/55	€ 142,00	35 ÷ 55 mm	80 mm	Ø 3 x 6 mm	0,01 mm
C014/55/75	€ 142,00	55 ÷ 75 mm	80 mm	Ø 3 x 6 mm	0,01 mm
C014/75/95	€ 142,00	75 ÷ 95 mm	100 mm	Ø 3 x 8 mm	0,01 mm

A020 € 134,00
ZERO SETTING WITH DIAL INDICATOR WITH MAGNETIC BASE



Box

Zero setting height	50 mm
Reading	0,01 mm
Range	0 ÷ 8 mm



A021 **PRO NEW** € 124,00

ZERO SETTING WITH DIAL INDICATOR WITH MAGNETIC BASE

To position or reset the height of tools, such as end mills, directly on the machine tools, also determining the position of the machine spindle



Box

Range	0±2,40 mm 0=0,094"
Reading	0,01 mm 0,0005"
Platform dimensions	Ø 24 mm
Digit height	8 mm
Battery	1 x 3V CR2032
Dimensions	Ø 50 x 51 mm



C062 € 37,50

MECHANICAL EDGE FINDER



Box

Shank	Ø 10 mm
Anvil	Ø 4 - 10 mm



C063 € 71,90

ELECTRONIC EDGE FINDER



Box

Shank	Ø 20 mm
Contact point	Ø 10 mm
Total length	100 mm
Power	2 x SR44W



C063/L **PRO** € 87,90

ELECTRONIC EDGE FINDER

With led light and audible beep



Box

Shank	Ø 20 mm
Contact point	Ø 10 mm
Total length	160 mm
Power	2 x LR1 1.5 V



C061 € 227,00

CO-AX INDICATOR

With positioning rod



Box

Dial indicator	Ø 40 mm
Swing	4,9 mm
Reading	0,01 mm
Max speed	800 rpm
Cylindric shank	Ø 10 mm
Straight feelers	3
Bent feelers	3
Feeler length	50 - 100 - 150 mm
Contact point	Ø 3 mm
Scriber point	50 mm

M021-

ELECTRONIC DIGITAL MICROMETER

Friction thimble with carbide faces, functions: abs/inc, set, on/off and mm/inch.



Art.	€	Size	Reading	Accuracy
M021/00/25	€ 92,30	0 ÷ 25 mm - 0 ÷ 1"	0,001 mm - 0,00005"	0,003 mm - 0,00015"
M021/25/50	€ 115,00	25 ÷ 50 mm - 1" ÷ 2"	0,001 mm - 0,00005"	0,003 mm - 0,00015"
M021/50/75	€ 139,00	50 ÷ 75 mm - 2" ÷ 3"	0,001 mm - 0,00005"	0,004 mm - 0,0002"
M021/75/100	€ 162,00	75 ÷ 100 mm - 3" ÷ 4"	0,001 mm - 0,00005"	0,004 mm - 0,0002"

PRO

M026-

ELECTRONIC DIGITAL MICROMETER

Friction thimble with carbide faces



Art.	€	Size	Reading	Accuracy
M026/0/25	€ 179,00	0 ÷ 25 mm - 0 ÷ 1"	0,001 mm 0,0001"	0,0002 mm 0,00008"
M026/25/50	€ 224,00	25 ÷ 50 mm - 1 ÷ 2"	0,001 mm 0,0001"	0,0002 mm 0,00008"
M026/50/75	€ 241,00	50 ÷ 75 mm - 2 ÷ 3"	0,001 mm 0,0001"	0,0003 mm 0,00012"
M026/75/100	€ 267,00	75 ÷ 100 mm - 3 ÷ 4"	0,001 mm 0,0001"	0,0003 mm 0,00012"

M022-

CHROMED OUTSIDE MICROMETER

With big 100 step graduation thimble with carbide faces and friction on thimble



Art.	€	Size	Reading	Accuracy
M022/00/25	€ 67,80	0 ÷ 25 mm	0,01 mm	0,004 mm
M022/25/50	€ 84,30	25 ÷ 50 mm	0,01 mm	0,004 mm
M022/50/75	€ 99,20	50 ÷ 75 mm	0,01 mm	0,005 mm
M022/75/100	€ 114,00	75 ÷ 100 mm	0,01 mm	0,005 mm

M033

€ 197,00

OUTSIDE MICROMETER SET

With carbide faces and painted frame



Size	0÷25 - 25÷50 - 50÷75 - 75÷100 - 100÷125 - 125÷150 mm
Reading	0,01 mm
Accuracy	0,004 - 0,004 - 0,005 - 0,005 - 0,006 - 0,006 mm
Spindle	Ø 6,3 mm

M033-

CHROMED OUTSIDE MICROMETER

With carbide faces and painted frame



Art.	€	Size	Reading	Spindle
M033/00/25	€ 24,80	0÷25 mm	0,01 mm	Ø 6,3 mm
M033/25/50	€ 34,80	25÷50 mm	0,01 mm	Ø 6,3 mm
M033/50/75	€ 38,90	50÷75 mm	0,01 mm	Ø 6,3 mm
M033/75/100	€ 43,10	75÷100 mm	0,01 mm	Ø 6,3 mm

M033-x

CHROMED OUTSIDE MICROMETER

With carbide faces and painted frame



Art.	€	Size	Reading	Spindle
M033/100/125	€ 46,10	100÷125 mm	0,01 mm	Ø 6,3 mm
M033/125/150	€ 49,20	125÷150 mm	0,01 mm	Ø 6,3 mm
M033/150/175	€ 58,80	150÷175 mm	0,01 mm	Ø 6,3 mm
M033/175/200	€ 67,00	175÷200 mm	0,01 mm	Ø 6,3 mm
M033/200/225	€ 77,70	200÷225 mm	0,01 mm	Ø 6,3 mm
M033/225/250	€ 94,90	225÷250 mm	0,01 mm	Ø 6,3 mm
M033/250/275	€ 97,70	250÷275 mm	0,01 mm	Ø 6,3 mm
M033/275/300	€ 110,00	275÷300 mm	0,01 mm	Ø 6,3 mm



M009-

CHROMED OUTSIDE MICROMETER

With carbide faces and painted frame



863

Art.	€	Size	Reading	Spindle
M009/300/400	€ 338,00	300 ÷ 400 mm	0,01 mm	ø 6,5 mm
M009/400/500	€ 369,00	400 ÷ 500 mm	0,01 mm	ø 6,5 mm
M009/500/600	€ 426,00	500 ÷ 600 mm	0,01 mm	ø 6,5 mm
M009/600/700	€ 507,00	600 ÷ 700 mm	0,01 mm	ø 6,5 mm
M009/700/800	€ 608,00	700 ÷ 800 mm	0,01 mm	ø 6,5 mm
M009/800/900	€ 702,00	800 ÷ 900 mm	0,01 mm	ø 6,5 mm
M009/900/1000	€ 834,00	900 ÷ 1000 mm	0,01 mm	ø 6,5 mm
M009/1000/1200	€ 1230,00	1000 ÷ 1200 mm	0,01 mm	ø 6,5 mm

M010-

DISC MICROMETER

Painted frame



863

Art.	€	Size	Reading	Discs
M010/0/25	€ 106,00	0 ÷ 25 mm	0,01 mm	Ø 20 mm
M010/25/50	€ 130,00	25 ÷ 50 mm	0,01 mm	Ø 20 mm
M010/50/75	€ 137,00	50 ÷ 75 mm	0,01 mm	Ø 20 mm
M010/75/100	€ 144,00	75 ÷ 100 mm	0,01 mm	Ø 20 mm
M010/100/125	€ 184,00	100 ÷ 125 mm	0,01 mm	Ø 27 mm
M010/125/150	€ 209,00	125 ÷ 150 mm	0,01 mm	Ø 27 mm
M010/150/175	€ 232,00	150 ÷ 175 mm	0,01 mm	Ø 27 mm
M010/175/200	€ 245,00	175 ÷ 200 mm	0,01 mm	Ø 27 mm

M019-

BLIND HOLE THREE POINT INSIDE MICROMETER



Art.	€	Ring	Size	Reading	Accuracy
M019/06/08	€ 377,00	1	6 ÷ 8 mm	0,001 mm	0,004 mm
M019/08/10	€ 377,00	1	8 ÷ 10 mm	0,001 mm	0,004 mm
M019/10/12	€ 377,00	1	10 ÷ 12 mm	0,001 mm	0,004 mm
M019/12/16	€ 353,00	1	12 ÷ 16 mm	0,005 mm	0,004 mm
M019/16/20	€ 353,00	1	16 ÷ 20 mm	0,005 mm	0,004 mm
M019/20/25	€ 379,00	1	20 ÷ 25 mm	0,005 mm	0,004 mm
M019/25/30	€ 379,00	1	25 ÷ 30 mm	0,005 mm	0,004 mm
M019/30/40	€ 417,00	1	30 ÷ 40 mm	0,005 mm	0,004 mm
M019/40/50	€ 497,00	1	40 ÷ 50 mm	0,005 mm	0,005 mm
M019/50/63	€ 507,00	1	50 ÷ 63 mm	0,005 mm	0,005 mm
M019/62/75	€ 561,00	1	62 ÷ 75 mm	0,005 mm	0,005 mm
M019/75/88	€ 568,00	1	75 ÷ 88 mm	0,005 mm	0,005 mm
M019/87/100	€ 568,00	1	87 ÷ 100 mm	0,005 mm	0,005 mm
M019/100/125	€ 632,00	0	100 ÷ 125 mm	0,005 mm	0,005 mm
M019/125/150	€ 698,00	0	125 ÷ 150 mm	0,005 mm	0,005 mm

M019-x

BLIND HOLE THREE POINT INSIDE MICROMETER SET



Art.	€	Micrometers	Rings	Size	Reading	Accuracy
M019/06/12	€ 981,00	3	3	6 ÷ 12 mm	0,001 mm	0,004 mm
M019/12/20	€ 535,00	2	1	12 ÷ 20 mm	0,005 mm	0,004 mm
M019/20/40	€ 1040,00	3	2	20 ÷ 40 mm	0,005 mm	0,004 mm
M019/40/100	€ 2290,00	5	3	40 ÷ 100 mm	0,005 mm	0,005 mm

M013/0/100

€ 120,00

DEPTH MICROMETER



Range	0÷25 mm, 25÷50 mm, 50÷75 mm, 75÷100 mm
Reading	0,01 mm
Base	100 x 17 mm


B0x
NEW
METRIC GAUGE BLOCK SET

Inspection certificate issued by the factory, Accredia certificate upon request



Carrying case



3650



Art.	€	Grade	Pieces	Nominal size (mm)	Increment (mm)	Pcs by step
B008/1	€ 1030,00	1	8	25 - 50 - 75 - 100 - 250 - 300 - 400 - 500	-	1
B011/0	€ 212,00	0	11	2,5 - 5,1 - 7,7 - 10,3 - 12,9 - 15 - 17,6 - 20,2 - 22,8 - 23,4 - 25	-	1
B032/0	€ 429,00	0	32	1,005	-	1
				1,01±1,09	-	9
				1,1±1,9	0,01	9
				1±9	0,1	9
				10 - 20 - 30 - 50	1	4
B032/1	€ 266,00	1	32	1,005	-	1
				1,01±1,09	-	9
				1,1±1,9	0,01	9
				1±9	0,1	9
				10 - 20 - 30 - 50	1	4
B032/2	€ 149,00	2	32	1,005	-	1
				1,01±1,09	-	9
				1,1±1,9	0,01	9
				1±9	0,1	9
				10 - 20 - 30 - 50	1	4
B047/0	€ 610,00	0	47	1,005	-	1
				1,01±1,2	0,01	20
				1,3±1,9	0,1	7
				1±9	1	9
				10±100	10	10
B047/1	€ 361,00	1	47	1,005	-	1
				1,01±1,2	0,01	20
				1,3±1,9	0,1	7
				1±9	1	9
				10±100	10	10
B047/2	€ 214,00	2	47	1,005	-	1
				1,01±1,2	0,01	20
				1,3±1,9	0,1	7
				1±9	1	9
				10±100	10	10
B087/0	€ 1020,00	0	87	1,001±1,009	0,001	9
				1,01±1,49	0,01	49
				0,5±9,5	0,5	19
				10±100	10	10
B087/1	€ 544,00	1	87	1,001±1,009	0,001	9
				1,01±1,49	0,01	49
				0,5±9,5	0,5	19
				10±100	10	10
B087/2	€ 333,00	2	87	1,001±1,009	0,001	9
				1,01±1,49	0,01	49
				0,5±9,5	0,5	19
				10±100	10	10
B103/0	€ 1170,00	0	103	1,005	-	1
				1,01±1,49	0,01	49
				0,5±24,5	0,5	49
				25±100	25	4
B103/1	€ 722,00	1	103	1,005	-	1
				1,01±1,49	0,01	49
				0,5±24,5	0,5	49
				25±100	25	4
B103/2	€ 407,00	2	103	1,005	-	1
				1,01±1,49	0,01	49
				0,5±24,5	0,5	49
				25±100	25	4
B112/0	€ 1020,00	0	112	1,005	-	1
				1,001 ± 1,009	0,001	9
				1,01 ± 1,49	0,01	49
				0,5 ± 24,5	0,5	49
				25 ± 100	25	4
B112/1	€ 721,00	1	112	1,005	-	1
				1,001 ± 1,009	0,001	9
				1,01 ± 1,49	0,01	49
				0,5 ± 24,5	0,5	49
				25 ± 100	25	4



C025-

H7 HOLE PLAIN GAUGE WITH "GO" & "NO GO" CHECKS MADE OF HARDENED ALLOY STEEL



Art.	€	ø	Pieces
C025/03	€ 34,30	3 mm	1
C025/04	€ 34,30	4 mm	1
C025/05	€ 34,30	5 mm	1
C025/06	€ 34,30	6 mm	1
C025/07	€ 34,30	7 mm	1
C025/08	€ 34,30	8 mm	1
C025/09	€ 34,30	9 mm	1
C025/10	€ 34,30	10 mm	1
C025/11	€ 42,50	11 mm	1
C025/12	€ 42,50	12 mm	1
C025/13	€ 42,50	13 mm	1
C025/14	€ 42,50	14 mm	1
C025/15	€ 42,50	15 mm	1
C025/16	€ 42,50	16 mm	1
C025/17	€ 42,50	17 mm	1
C025/18	€ 42,50	18 mm	1
C025/19	€ 42,50	19 mm	1
C025/20	€ 42,50	20 mm	1
C025/21	€ 63,60	21 mm	1
C025/22	€ 63,60	22 mm	1
C025/23	€ 63,60	23 mm	1
C025/24	€ 63,60	24 mm	1
C025/25	€ 63,60	25 mm	1
C025/26	€ 63,60	26 mm	1
C025/27	€ 63,60	27 mm	1
C025/28	€ 63,60	28 mm	1
C025/29	€ 63,60	29 mm	1
C025/30	€ 79,70	30 mm	1
C025/32	€ 79,70	32 mm	1
C025/33	€ 79,70	33 mm	1
C025/34	€ 79,70	34 mm	1
C025/35	€ 79,70	35 mm	1
C025/36	€ 79,70	36 mm	1
C025/37	€ 79,70	37 mm	1
C025/38	€ 79,70	38 mm	1
C025/40	€ 79,70	40 mm	1
C025/42	€ 79,70	42 mm	1
C025/44	€ 79,70	44 mm	1
C025/45	€ 89,60	45 mm	1
C025/46	€ 89,70	46 mm	1
C025/47	€ 89,70	47 mm	1
C025/48	€ 89,70	48 mm	1
C025/50	€ 89,70	50 mm	1
C025/51	€ 96,20	51 mm	1
C025/52	€ 96,20	52 mm	1
C025/55	€ 96,20	55 mm	2
C025/56	€ 96,20	56 mm	2
C025/57	€ 96,20	57 mm	2
C025/58	€ 96,20	58 mm	2
C025/59	€ 96,20	59 mm	2
C025/60	€ 96,20	60 mm	2
C025/62	€ 116,00	62 mm	2
C025/63	€ 116,00	63 mm	2
C025/65	€ 116,00	65 mm	2
C025/66	€ 116,00	66 mm	2
C025/67	€ 116,00	67 mm	2
C025/68	€ 116,00	68 mm	2
C025/69	€ 116,00	69 mm	2
C025/70	€ 154,00	70 mm	2
C025/71	€ 154,00	71 mm	2
C025/72	€ 154,00	72 mm	2
C025/74	€ 154,00	74 mm	2
C025/75	€ 154,00	75 mm	2
C025/76	€ 154,00	76 mm	2
C025/78	€ 154,00	78 mm	2
C025/80	€ 154,00	80 mm	2

C025-3x

H7 HOLE PLAIN GAUGE SET "GO" & "NO GO"



Carrying case

Art.	€	Pieces	Pitch	ø
C025/3/30	€ 1080,00	28	1 mm	3 ÷ 30 mm
C025/32/62	€ 1290,00	16	-	32-35-37-38-40-42-45-47-48-50-52-55-56-58-60-62 mm

A015-

RING GAUGE FOR ZERO SETTING

6g accuracy.



2250

Art.	€	Size
A015/008	€ 51,90	8 mm
A015/010	€ 58,20	10 mm
A015/011	€ 58,20	11 mm
A015/017	€ 63,60	17 mm
A015/025	€ 63,60	25 mm
A015/035	€ 63,60	35 mm
A015/040	€ 108,00	40 mm
A015/062	€ 120,00	62 mm
A015/087	€ 283,00	87 mm
A015/100	€ 298,00	100 mm
A015/125	€ 461,00	125 mm
A015/150	€ 647,00	150 mm



T048x

THREAD PLUG GAUGE "GO" & "NO GO"

Cylindric bsp



Art.	€	Dimensions
T0481/8	€ 64,50	1/8" - 28 TPI
T0481/4	€ 64,50	1/4" - 19 TPI
T0483/8	€ 64,50	3/8" - 19 TPI
T0481/2	€ 83,00	1/2" - 14 TPI
T0485/8	€ 96,80	5/8" - 14 TPI
T0483/4	€ 103,00	3/4" - 14 TPI
T0487/8	€ 134,00	7/8" - 14 TPI
T0481	€ 157,00	1" - 11 TPI

A018x

"GO" SCREW GAUGE

"go" screw gauge, cylindric bsp



Art.	€	Dimensions
A0181/8	€ 66,50	1/8" - 28 TPI
A0181/4	€ 66,50	1/4" - 19 TPI
A0183/8	€ 66,50	3/8" - 19 TPI
A0181/2	€ 91,20	1/2" - 14 TPI
A0185/8	€ 91,20	5/8" - 14 TPI
A0183/4	€ 111,00	3/4" - 14 TPI
A0187/8	€ 134,00	7/8" - 14 TPI
A0181	€ 97,70	1" - 11 TPI

T049x

6H "GO" & "NO GO" ISOMETRIC THREAD PLUG GAUGE



Art.	€	Dimensions
T0493X0.5	€ 59,10	3 x 0,5 mm
T0494X0.7	€ 76,10	4 x 0,7 mm
T0495X0.8	€ 78,70	5 x 0,8 mm
T0496X1	€ 78,70	6 x 1 mm
T0498X1	€ 71,70	8 x 1 mm
T0498X1.25	€ 71,70	8 x 1,25 mm
T04910X1	€ 73,40	10 x 1 mm
T04910X1.25	€ 73,40	10 x 1,25 mm
T04910X1.5	€ 73,40	10 x 1,5 mm
T04912X1.25	€ 73,40	12 x 1,25 mm
T04912X1.5	€ 73,40	12 x 1,5 mm
T04912X1.75	€ 73,40	12 x 1,75 mm
T04914X1.5	€ 78,70	14 x 1,5 mm
T04914X2	€ 78,70	14 x 2 mm
T04916X1.5	€ 82,20	16 x 1,5 mm
T04916X2	€ 82,20	16 x 2 mm
T04918X1.5	€ 61,00	18 x 1,5 mm
T04918X2.5	€ 61,00	18 x 2,5 mm
T04920X1.5	€ 66,80	20 x 1,5 mm
T04920X2.5	€ 66,80	20 x 2,5 mm
T04922X1.5	€ 68,40	22 x 1,5 mm
T04922X2.5	€ 68,40	22 x 2,5 mm
T04924X1.5	€ 71,70	24 x 1,5 mm
T04924X2	€ 71,70	24 x 2 mm
T04924X3	€ 71,70	24 x 3 mm

A017x

6G "GO" ISOMETRIC SCREW GAUGE



Art.	€	Dimensions
A0173X0.5	€ 57,30	3 x 0,5 mm
A0174X0.7	€ 64,50	4 x 0,7 mm
A0175X0.8	€ 64,50	5 x 0,8 mm
A0176X1	€ 53,70	6 x 1 mm
A0178X1	€ 53,70	8 x 1 mm
A0178X1.25	€ 53,70	8 x 1,25 mm
A01710X1	€ 76,10	10 x 1 mm
A01710X1.25	€ 59,10	10 x 1,25 mm
A01710X1.5	€ 59,10	10 x 1,5 mm
A01712X1.25	€ 82,20	12 x 1,25 mm
A01712X1.5	€ 82,20	12 x 1,5 mm
A01712X1.75	€ 82,20	12 x 1,75 mm
A01714X2	€ 82,20	14 x 2 mm
A01716X1.5	€ 87,10	16 x 1,5 mm
A01716X2	€ 87,10	16 x 2 mm
A01718X1.5	€ 61,00	18 x 1,5 mm
A01718X2.5	€ 61,00	18 x 2,5 mm
A01720X1.5	€ 64,30	20 x 1,5 mm
A01720X2.5	€ 64,30	20 x 2,5 mm
A01722X1.5	€ 73,30	22 x 1,5 mm
A01722X2.5	€ 73,30	22 x 2,5 mm
A01724X1.5	€ 97,70	24 x 1,5 mm
A01724X2	€ 97,70	24 x 2 mm
A01724X3	€ 97,70	24 x 3 mm

S091

STEEL PLUG GAUGE SET

€ 474,00



Carrying case

Pieces	91
Size	1÷10 mm
Increment	0,1 mm
Length	50 mm
Hardness	HRC-60-62
Accuracy	±0,002 mm





T009 € 31,90

DIAL INDICATOR HOLDER



Carrying case

Shank	∅ 8 mm
Female junction	∅ 4 mm

B201/1 € 16,60

MAGNETIC BASE

N35 magnetic material, abs switch and prismatic base



Carrying case

Base dimensions	36 x 30 x 35 mm
Hole	M5 x 0,8
Magnetic force	300 N



B201/2 € 19,70

MAGNETIC BASE

N35 magnetic material, abs switch and prismatic base



Carrying case

Base dimensions	60 x 50 x 55 mm
Hole	M8 x 1,25
Magnetic force	800 N



B201/3 € 26,00

MAGNETIC BASE

N35 magnetic material, abs switch and prismatic base



Carrying case

Base dimensions	73 x 50 x 55 mm
Hole	M8 x 1,25
Magnetic force	1000 N



B201/4 € 36,30

MAGNETIC BASE

N35 magnetic material, abs switch and prismatic base



Carrying case

Base dimensions	117 x 50 x 55 mm
Hole	M8 x 1,25
Magnetic force	1300 N



B100 € 23,70

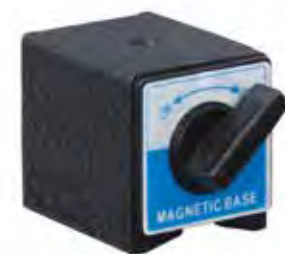
MAGNETIC STAND

Abs switch and prismatic base



Carrying case

Dimensions	63 x 50 x 55h mm
Hole	M 8 x 1,25
Magnetic force	600 N



S052/2 € 31,20

MAGNETIC STAND

With micrometric adjustment, sturdy column and adjustable arm. magnetic base with prismatic support and switch



Carrying case

Main stem	∅ 12 x 176 mm
Assistant stem	∅ 10 x 150 mm
Magnetic force	800 N
Base dimensions	60 x 50 x 55 mm



S052/3 € 54,00

MAGNETIC STAND

With micrometric adjustment, sturdy column and adjustable arm. Magnetic base with prismatic support and switch.



Carrying case

Main stem	∅ 16 x 225 mm
Assistant stem	∅ 14 x 165 mm
Magnetic force	1000 N
Base dimensions	73 x 50 x 55 mm



S052/4

€ 80,00

MAGNETIC STAND

With micrometric adjustment, sturdy column and adjustable arm. magnetic base with prismatic support and switch



Carrying case

Main stem	ø 20 x 355 mm
Assistant stem	ø 14 x 210 mm
Magnetic force	1300 N
Base dimensions	117 x 50 x 55 mm



S049

€ 35,20

MAGNETIC STAND

With microadjustment



Carrying case

Main stem	ø 12 x 170 mm
Assistant stem	ø 10 x 150 mm
Magnetic force	600 N
Base dimensions	63 x 50 x 55h mm



S047

€ 65,90

MAGNETIC STAND

With microadjustment



Carrying case

Main stem	ø 16 x 220 mm
Assistant stem	ø 12 x 180 mm
Magnetic force	800 N
Base dimensions	65 x 50 x 55h mm



S054

€ 31,90

MAGNETIC STAND



Carrying case

Main stem	ø 12 x 170 mm
Assistant stem	ø 10 x 165 mm
Magnetic force	600 N
Base dimensions	63 x 50 x 55h mm



S055

€ 62,20

MAGNETIC STAND



Carrying case

Main stem	ø 16 x 210 mm
Assistant stem	ø 12 x 175 mm
Magnetic force	800 N
Base dimensions	75 x 50 x 55h mm



S042/1

€ 57,50

UNIVERSAL MECHANICAL ARM STAND

With 3d central lock



Carrying case

Base dimensions	36 x 30 x 35 mm
Magnetic force	300 N
Arm length	145 mm



S042/2

€ 72,70

UNIVERSAL MECHANICAL ARM STAND

With micrometric adjustment and 3d central lock



Carrying case

Base dimensions	60 x 50 x 55 mm
Magnetic force	800 N
Arm length	290 mm



S042/3

€ 93,50

UNIVERSAL MECHANICAL ARM STAND

With micrometric adjustment and 3d central lock



Carrying case

Base dimensions	75 x 50 x 55 mm
Magnetic force	1000 N
Arm length	365 mm





S045 € 73,80

UNIVERSAL MECHANICAL ARM STAND



Carrying case

Main stem	Ø 12 x 160 mm
Assistant stem	Ø 10 x 180 mm
Magnetic force	600 N
Base dimensions	63 x 50 x 55h mm

S046 € 113,00

HYDRAULIC UNIVERSAL MAGNETIC STAND



Carrying case

Main stem	Ø 17 x 180 mm
Assistant stem	Ø 14 x 200 mm
Magnetic force	600 N
Base dimensions	63 x 50 x 55h mm

B025 € 218,00

DIAL GAUGE STAND

With grooved steel plate and aluminium base.



Carrying case

Dial stand	Ø 8 mm
Plate Dimensions	80 x 80 mm
Base dimensions	150 x 100 mm
Column	Ø 25 x 180 mm

B010 € 269,00

DIAL GAUGE STAND

With granite base



Carrying case

Dial stand	Ø 8 mm
Base dimensions	300 x 200 x 50h mm
Column	Ø 35 x 300 mm
Base flatness	0,002 mm

A019-

ECCENTRICITY BENCH TESTER

With dial stand



Wooden Box



Cast Iron

Art.	€	Distance between centers	Centers height Min. - Max	MT	Dimensions	Dial stand	Net weight
A019/300	€ 1220,00	300 mm	145 / 175 mm	2	730 x 310 x 370h mm	2	65 kg
A019/500	€ 1560,00	500 mm	135 / 170 mm	2	924 x 330 x 482h mm	2	70 kg
A019/1000	€ 1840,00	1000 mm	135 / 170 mm	2	1400 x 330 x 430h mm	2	100 kg

S051 € 31,50

MICROMETER STAND

With plastic covered jaws



Box



Cast Iron

P04x

GRANITE INSPECTION PLATE

Grade 0



Wooden Box

Art.	€	Dimensions	Net weight
P040	€ 87,60	310 x 230 x 80 mm	20 kg
P042	€ 281,00	630 x 400 x 100 mm	80 kg
P043	€ 752,00	1000 x 630 x 150 mm	280 kg
P047	€ 1250,00	1200 x 800 x 160 mm	497 kg
P044	€ 2640,00	1600 x 1000 x 200 mm	1059 kg

B040-

GRANITE SURFACE STAND WITH TWO DRAWERS



Art.	€	Base dimensions	Plate Dimensions	Net weight
B040/1	€ 883,00	945 x 590 mm	1000 x 630 mm	63,5 kg
B040/2	€ 986,00	1200 x 750 mm	1200 x 800 - 1600 x 1000 mm	80 kg

S06x

GRANITE SQUARE

Grade 0



Wooden Box



876

Art.	€	Dimensions	Accuracy
S061	€ 417,00	250 x 40 x 400h mm	± 6 µm
S062	€ 589,00	400 x 100 x 635h mm	± 9 µm

S050-

PRO

90° SQUARE

Suitable for checking squareness and flatness in the precision mechanical industry. With back



Steel



875/1

Art.	€	Dimensions	Stem
S050/150	€ 33,50	150 x 100 mm	25,5 x 4,8 mm ²
S050/200	€ 42,60	200 x 130 mm	30,3 x 6 mm ²
S050/250	€ 56,90	250 x 165 mm	35 x 7 mm ²
S050/300	€ 63,30	300 x 200 mm	36 x 9 mm ²
S050/400	€ 140,00	400 x 265 mm	39 x 9 mm ²
S050/500	€ 168,00	500 x 330 mm	50 x 9 mm ²

S051-

NEW

90° SQUARE

Suitable for checking squareness and flatness in the mechanical industry. With back



Steel



Made in Germany

Art.	€	Dimensions	Stem
S051/100	€ 14,30	100 x 70 mm	20 x 5,5 mm ²
S051/150	€ 16,50	150 x 100 mm	20 x 5,5 mm ²
S051/200	€ 22,60	200 x 130 mm	20 x 5,5 mm ²
S051/250	€ 26,10	250 x 160 mm	25 x 5,5 mm ²
S051/300	€ 33,60	300 x 175 mm	25 x 5,5 mm ²
S051/400	€ 37,00	400 x 200 mm	29,5 x 5,5 mm ²
S051/500	€ 56,90	500 x 250 mm	29,5 x 5,5 mm ²
S051/600	€ 71,50	600 x 330 mm	29,5 x 5,5 mm ²
S051/750	€ 169,00	750 x 375 mm	29,5 x 5,5 mm ²
S051/1000	€ 201,00	1000 x 500 mm	29,5 x 5,5 mm ²

S059-

NEW

90° SQUARE

Suitable for checking squareness and flatness in the mechanical industry. Without back



Steel



Made in Germany

Art.	€	Dimensions	Stem
S059/100	€ 8,30	100 x 70 mm	20 x 5,5 mm ²
S059/150	€ 9,90	150 x 100 mm	20 x 5,5 mm ²
S059/200	€ 11,60	200 x 130 mm	20 x 5,5 mm ²
S059/250	€ 13,90	250 x 160 mm	25 x 5,5 mm ²
S059/300	€ 15,90	300 x 175 mm	25 x 5,5 mm ²
S059/400	€ 20,20	400 x 200 mm	29,5 x 5,5 mm ²
S059/500	€ 24,10	500 x 250 mm	29,5 x 5,5 mm ²
S059/600	€ 28,90	600 x 330 mm	29,5 x 5,5 mm ²
S059/750	€ 49,60	750 x 375 mm	29,5 x 5,5 mm ²
S059/1000	€ 72,30	1000 x 500 mm	29,5 x 5,5 mm ²



S048-

STAINLESS STEEL 90° KNIFE EDGE SQUARE



Art.	€	Dimensions	Stem
S048/100	€ 35,60	100 x 70 mm	20 x 5 mm ²
S048/150	€ 54,00	150 x 100 mm	25 x 5 mm ²

0286-

YELLOW PAINTED JOINER SQUARE



Art.	€	Dimensions
0286/250	€ 2,83	250 x 130 x 0,8 mm
0286/300	€ 3,34	300 x 130 x 0,8 mm
0286/350	€ 3,72	350 x 155 x 0,8 mm

0129-

PRO

CARPENTER TRY SQUARE

With hardened black anodized aluminum blade (HRB 70) with laser engraved anti-reflective scale on both sides and elongated aluminum handle with grooved profile.



Alu
Aluminum



Art.	€	Blade length	Blade section	Handle length	Handle section
0129/150	€ 21,10	150 mm	40 x 2 mm	130 mm	40 x 12 mm
0129/200	€ 21,50	200 mm	40 x 2 mm	130 mm	40 x 12 mm
0129/250	€ 23,00	250 mm	40 x 2 mm	145 mm	40 x 12 mm
0129/300	€ 24,60	300 mm	40 x 2 mm	145 mm	40 x 12 mm
0129/400	€ 29,60	400 mm	40 x 2 mm	170 mm	40 x 12 mm
0129/500	€ 32,30	500 mm	40 x 2 mm	170 mm	40 x 12 mm

0132-

PRO

BEVEL SQUARE

Carbon steel blade, aluminum handle with grooved profile and galvanized fixing screw.



Art.	€	Blade length	Blade section	Handle section
0132/200	€ 20,00	200 mm	29 x 1.6 mm	30 x 11.5 mm
0132/250	€ 21,50	250 mm	29 x 1.6 mm	30 x 11.5 mm
0132/300	€ 23,40	300 mm	29 x 1.6 mm	30 x 11.5 mm

0139-

PRO

MITRE SQUARE

With hardened black anodized aluminium blade (HRB 70) with laser engraved anti-reflective scale on both sides and elongated aluminium handle with grooved profile.



Alu
Aluminum



Art.	€	Blade length	Blade section	Handle section	Angle
0139/250	€ 21,90	250 mm	40 x 2 mm	40 x 12 mm	45° / 135°
0139/300	€ 23,10	300 mm	40 x 2 mm	40 x 12 mm	45° / 135°

S056-

90° MAGNETIC SQUARE



Art.	€	Dimensions	Max. magnetic force
S056/150	€ 82,30	150 x 150 x 50 mm	500 N
S056/200	€ 103,00	200 x 200 x 50 mm	1000 N

S058 € 94,80
TITLTABLE MAGNETIC SQUARE



Dimensions	115 x 115 x 35 mm
Degrees	45° ± 90°
Max. magnetic force	250 N

S057/125 € 19,10
WELDING HOLDER



Dimensions	135 x 135 x 25 mm
Magnetic force	340 N
Hold working angle	45 - 90 - 135°

S057/060S € 12,90
MINI WELDING HOLDER



Dimensions	50 x 60 x 12,5 mm
Magnetic force	45 N
Hold working angle	45 - 90 - 135°

0212 € 8,00
FEELER



Feelers num.	20
Sizes	0,05 - 1,00 mm

FGx
FEELER GAUGE SET

Conical-shaped blades, nickel-plated case with locking nut, measurements in mm and inches on each blade.



Art.	€	Feelers num.	Tolerance	Sizes	Blade length
FG01	€ 4,42	13	T2	0,05 - 1,00 mm 0,002 - 0,040"	100 mmm
FG02	€ 7,50	20	T2	0,05 - 1,00 mm 0,002 - 0,040"	100 mmm

FGx-AI
FEELER GAUGE SET, STAINLESS STEEL

Conical-shaped blades, nickel-plated case with locking nut, measurements in mm and inches on each blade.



INOX

Art.	€	Feelers num.	Tolerance	Sizes	Blade length
FG01/AI	€ 13,10	13	T2	0,05 - 1,00 mm 0,002 - 0,040"	100 mm
FG02/AI	€ 20,90	20	T2	0,05 - 1,00 mm 0,002 - 0,040"	100 mm



TGx-AE

THICKNESS GAUGE FOIL

Measure in mm and inches on each blade. T2 tolerance



Art.	€	Thickness	Length
TG001/AE	€ 60,90	0.01 mm 0.0004"	5 m
TG002/AE	€ 47,20	0.02 mm 0.0008"	5 m
TG003/AE	€ 26,00	0.03 mm 0.0012"	5 m
TG004/AE	€ 27,00	0.04 mm 0.0016"	5 m
TG005/AE	€ 18,90	0.05 mm 0.0020"	5 m
TG006/AE	€ 18,90	0.06 mm 0.0024"	5 m
TG007/AE	€ 18,90	0.07 mm 0.0028"	5 m
TG008/AE	€ 18,90	0.08 mm 0.0030"	5 m
TG009/AE	€ 18,90	0.09 mm 0.0035"	5 m
TG010/AE	€ 18,90	0.10 mm 0.0040"	5 m
TG012/AE	€ 18,90	0.12 mm 0.005"	5 m
TG015/AE	€ 17,40	0.15 mm 0.006"	5 m
TG018/AE	€ 18,90	0.18 mm 0.007"	5 m
TG020/AE	€ 17,40	0.20 mm 0.008"	5 m
TG025/AE	€ 17,40	0.25 mm 0.010"	5 m
TG030/AE	€ 17,40	0.30 mm 0.012"	5 m
TG035/AE	€ 18,90	0.35 mm 0.014"	5 m
TG040/AE	€ 18,90	0.40 mm 0.016"	5 m
TG045/AE	€ 18,90	0.45 mm 0.018"	5 m
TG050/AE	€ 18,90	0.50 mm 0.020"	5 m
TG055/AE	€ 27,00	0.55 mm 0.022"	5 m
TG060/AE	€ 27,00	0.60 mm 0.024"	5 m
TG065/AE	€ 27,00	0.65 mm 0.026"	5 m
TG070/AE	€ 23,20	0.70 mm 0.028"	5 m
TG075/AE	€ 23,20	0.75 mm 0.030"	5 m
TG080/AE	€ 23,20	0.80 mm 0.032"	5 m
TG085/AE	€ 23,20	0.85 mm 0.034"	5 m
TG090/AE	€ 23,20	0.90 mm 0.036"	5 m
TG095/AE	€ 23,20	0.95 mm 0.038"	5 m
TG100/AE	€ 23,20	1.00 mm 0.040"	5 m
TG110/AE	€ 17,70	1.10 mm	1 m
TG120/AE	€ 17,70	1.20 mm	1 m
TG130/AE	€ 17,70	1.30 mm	1 m
TG140/AE	€ 17,70	1.40 mm	1 m
TG150/AE	€ 17,70	1.50 mm	1 m
TG160/AE	€ 17,70	1.60 mm	1 m
TG170/AE	€ 17,70	1.70 mm	1 m
TG180/AE	€ 17,70	1.80 mm	1 m
TG190/AE	€ 17,70	1.90 mm	1 m
TG200/AE	€ 17,70	2.00 mm	1 m

C026-

PRECISION DIVIDER

With square legs



Art.	€	Length
C026/150	€ 8,80	150 mm
C026/200	€ 10,90	200 mm
C026/250	€ 14,90	250 mm
C026/300	€ 17,20	300 mm

HT125

€ 7,00

**HOLDER FOR FEELER GAUGE
BLADES**



Blister

Dimensions 125 x 17 mm



C058/52

NEW € 9,00

**52 BLADE SCREW PITCH GAUGE
SET**



Blister

Metric size 0.25 - 6 mm 60°
Whitworth size 4 - 62 TPI 55°

C058

€ 12,80

**58 BLADE SCREW PITCH GAUGE
SET**



Blister

Metric size 0.25 - 6 mm 60°
Whitworth size 4 - 62 TPI 55°
Gas size 8 - 28 TPI 55°

C027-

PRECISION DIVIDER

With setting wings and square legs



Art.	€	Length
C027/150	€ 12,30	150 mm
C027/200	€ 14,50	200 mm
C027/250	€ 18,00	250 mm
C027/300	€ 20,00	300 mm

C028-

OUTSIDE CALIPER

For external thicknesses



Art.	€	Length
C028/150	€ 8,80	150 mm
C028/200	€ 10,90	200 mm
C028/250	€ 12,70	250 mm
C028/300	€ 14,90	300 mm

C029-

INSIDE CALIPER

For interiors



Art.	€	Length
C029/150	€ 8,80	150 mm
C029/200	€ 10,90	200 mm
C029/250	€ 12,70	250 mm
C029/300	€ 14,90	300 mm

P007-

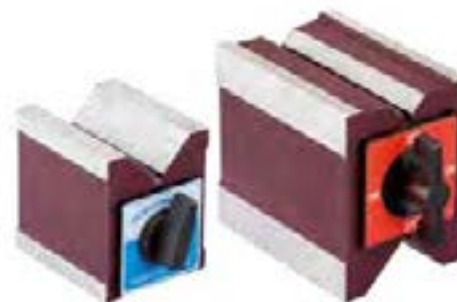
MAGNETIC VEE BLOCK

Single or couple



Box

Art.	€	Dimensions	Width	Max. magnetic force	Pieces
P007/1	€ 112,00	70 x 60 x 72 mm	38 mm	400 N	1
P007/2	€ 144,00	100 x 70 x 95 mm	50 / 16 mm	300 N	1
P007/1C	€ 213,00	71 x 60 x 73 mm	38 mm	400 N	2
P007/2C	€ 328,00	100 x 70 x 95 mm	50 / 16 mm	300 N	2



P30x

90° BLOCK AND CLAMP

Single and couple.



Box



Steel



Tempered

Art.	€	Dimensions	Max clamp	Accuracy	Pieces
P301/2	€ 62,80	63,5 x 63,5 x 50 mm	ø 35 mm	±0,01 mm	1
P302/2	€ 107,00	100 x 75 x 75 mm	ø 65 mm	±0,01 mm	1
P303/2	€ 165,00	150 x 125 x 100 mm	ø 110 mm	±0,01 mm	1
P301/2C	€ 121,00	63,5 x 63,5 x 50,8 mm	ø 35 mm	±0,01 mm	2
P302/2C	€ 210,00	100 x 75 x 75 mm	ø 65 mm	±0,01 mm	2
P303/2C	€ 329,00	150 x 125 x 100 mm	ø 110 mm	±0,01 mm	2



P20x

PARALLEL VEE BLOCKS



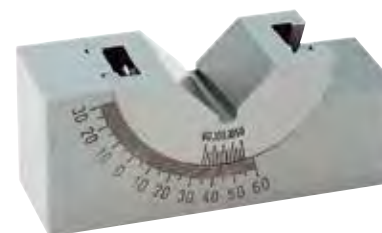
Box

C45

Art.	€	Dimensions	Accuracy
P200/1	€ 229,00	75 x 75 x 60 mm	1/100 mm
P201/1	€ 304,00	100 x 80 x 60 mm	1/100 mm

P011-

ANGLE BLOCK



Box

Art.	€	Dimensions
P011/075	€ 106,00	75 x 32 x 25 mm
P011/100	€ 126,00	102 x 48 x 46 mm



F2Gx

PRECISION TAPE

With steel wire stop mechanism and riveted end hook with bottom blade protector built in shock absorber



Expositor

Art.	€	Belt dimensions	Accuracy class
F2G2	€ 3,26	2 m x 16 mm	II
F2G3	€ 3,73	3 m x 16 mm	II
F2G5	€ 5,70	5 m x 19 mm	II

F68x

MAGNETIC PRECISION TAPE

With steel wire stop mechanism and riveted end hook with bottom blade protector built in shock absorber



Expositor

Art.	€	Belt dimensions	Accuracy class
F683	€ 6,10	3 m x 19 mm	II
F685	€ 8,50	5 m x 25 mm	II
F688	€ 12,20	8 m x 25 mm	II

F80x

PRECISION TAPE

With ergonomic shape, comfortable stopper, polyester film coating, belt clip, blade extra strong. resistance to abrasions, easy to control



Expositor

Art.	€	Belt dimensions	Accuracy class
F802	€ 2,58	2 m x 16 mm	II
F803	€ 4,19	3 m x 16 mm	II
F805	€ 5,90	5 m x 19 mm	II
F808	€ 8,50	8 m x 25 mm	II

F32x

MAGNETIC PRECISION TAPE

With automatic brake and magnet



Expositor

Art.	€	Belt dimensions	Accuracy class
F322	€ 4,20	2 m x 16 mm	II
F323	€ 5,60	3 m x 19 mm	II
F325	€ 7,60	5 m x 25 mm	II
F328	€ 10,60	8 m x 25 mm	II

R0x

LONG TAPE

Made of steel



Box

Art.	€	Belt dimensions
R030	€ 25,60	30 m x 13 mm
R050	€ 39,70	50 m x 13 mm

0646/A

€ 117,00

AUTOLEVELLING LASER LEVEL



Box

Leveling accuracy	0,5 mm / m
Horizontal and vertical line accuracy	± 0,5 mm / m
Battery	3 x 1,5V AA
Laser type	Classe II / 650 nm
Recommended working distance	10 m
Max height	126,5 cm
Minimum height	52,5 cm

0449

€ 23,30

MINI LASER LEVEL

With 4 vials, body in ABS and laser capable of emitting a single point or a perpendicular cross.



Box

Laser type	Classe II / 650 nm
Working range	20 m
Power	$\leq 1\text{ mW}$
Accuracy	0,05°
Battery	2 x 1,5V AAA

0666

€ 176,00

DIGITAL LEVEL WITH LASER

Measuring unit in degrees or %.



Box

Length	600 mm
Auto power off	5 min
Measuring range	0 ~ 360°
Wave length	650 nm
Reading	0,1°
Laser power	$\leq 1\text{ mW}$
Accuracy	± 0,05°
Pointing accuracy	± 1 mm / m
Battery	9 V

0109

€ 48,00

DIGITAL LEVEL

Magnetic with aluminum body, automatic power off, backlight, 2 vials, inc. abs and hold functions



Box

Length	400 mm
Auto power off	5 min
Measuring range	0 - 90° x 4
Reading	0° - 90°: 0,1°
Accuracy	0° - 90°: ± 0,2°
Battery	2 x AAA 1,5 V

0112

€ 105,00

DIGITAL LEVEL

Magnetic with milled aluminum base, automatic power off, backlight, 2 vials, "hold function, 0° and 90° with sound, reading: absolute, ref, percent, mm/m and in/ft, carrying bag.



Box

Length	600 mm
Auto power off	5 min
Measuring range	0 - 90° x 4
Reading	0° & 90°: 0,05°; 0° - 89°: 0,1°
Accuracy	0° & 90°: ± 0,05°; 0,1° - 89,9°: ± 0,2°
Battery	2 x AAA 1,5 V



L090A € 109,00

DIGITAL LEVEL - INCLINOMETER AND GONIOMETER WITH MAGNET

0 ÷ 90° magnetic digital level on all the 4 directions, inclinometer and goniometer, function: inclination mm/m and in/ft, % of inclination, backlight, automatic power off, ABS and relative measurements and automatic digit inversion for overhead measurements, with beeper.



Accuracy	± 0.15°
Measuring range	0 ÷ 90° x 4
Reading	0.05°
Dimensions	151 x 31 x 60 mm
Battery	2 x 1.5 V AAA

L085 € 83,60

DIGITAL LEVEL BOX

±0 ÷ 180° magnetic, automatic power off, ABS and relative measurements and automatic digit inversion for overhead measurements, hold function.



Accuracy	± 0.1°
Measuring range	0° ÷ 180°
Reading	0.1°
Dimensions	51 x 51 x 33 mm
Battery	1 x 3 V CR2032

0824-

LEVEL

Heavy duty aluminium milled level with 3 vials



Art.	€	Dimensions
0824/300	€ 5,60	300 x 49 x 23 mm
0824/400	€ 6,30	400 x 49 x 23 mm
0824/500	€ 7,40	500 x 49 x 23 mm
0824/600	€ 8,40	600 x 49 x 23 mm

L080 € 53,00

DIGITAL LEVEL BOX

0 ÷ 90° magnetic on all the 4 directions, backlight, automatic power off, ABS and relative measurements and automatic digit inversion for overhead measurements.



Accuracy	0° ± 0.1°; 90° ± 0.1°; 0.1° ÷ 89.9° ± 0.2°
Measuring range	0 ÷ 90° x 4
Reading	0.1°
Dimensions	59 x 27 x 59 mm
Battery	1 x 1.5 V AAA

0805/400 € 9,10

MAGNETIC LEVEL

Heavy duty with 3 vials



Dimensions	400 x 50 x 20 mm
------------	------------------

L200 € 188,00

LINEAR LEVEL

Master precision, with v-slot s ground



Dimensions	200 x 45 x 45 mm
Accuracy	0,02 mm / m

L150 € 218,00

SQUARE LEVEL

Master precision, with 2 plane sides and 2 prismatic sides

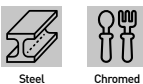


Dimensions	150 x 38 x 150 mm
Accuracy	0,02 mm / m

G006-

PROTRACTOR

With locking screw, laser engraved scale



Art.	€	Arch	Beam	Range
G006/120	€ 21,00	Ø 80 mm	120 mm	0 ÷ 180°
G006/150	€ 23,50	Ø 120 mm	150 mm	0 ÷ 180°
G006/200	€ 28,50	Ø 150 mm	200 mm	0 ÷ 180°
G006/300	€ 40,00	Ø 200 mm	300 mm	0 ÷ 180°
G006/500	€ 82,50	Ø 300 mm	500 mm	0 ÷ 180°
G006/600	€ 94,00	Ø 300 mm	600 mm	0 ÷ 180°

G008 € 50,90

DIGITAL ANGLE FINDER AND LEVEL WITH 2 VIALS

Automatic calculation of angles and inclinations



Length	400 mm
Range	0 ÷ 225°
Reading	0,1°
Accuracy	± 0,5°
Battery	9 V - 6F22

G004- **PRO NEW**

PROTRACTOR

With locking screw, laser engraved scale



Art.	€	Arch	Beam	Range	Hardness
G004/120	€ 26,50	Ø 80 mm	120 mm	0 ÷ 180°	HRC 63
G004/150	€ 30,50	Ø 120 mm	150 mm	0 ÷ 180°	HRC 63
G004/200	€ 37,50	Ø 150 mm	200 mm	0 ÷ 180°	HRC 63
G004/300	€ 50,00	Ø 200 mm	300 mm	0 ÷ 180°	HRC 63
G004/500	€ 105,00	Ø 300 mm	500 mm	0 ÷ 180°	HRC 63

G005 € 85,30

UNIVERSAL BEVEL PROTRACTOR



Reading	5'
Range	0° ÷ 360°
Beam	300 mm



E023/5 € 675,00

FLEXIBLE ENDOSCOPE FOR MECHANICAL USE

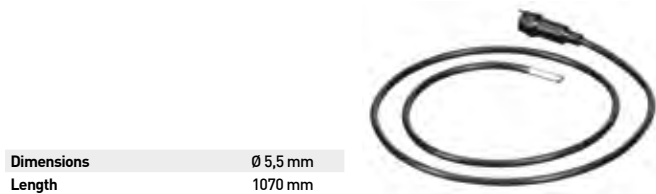
With probe Ø 5.5mm - wi-fi usb equipped with: 3.5" color lcd screen with wi-fi connection to the probe - memory micro sd 2gb with sd adapter - usb port - output with usb cable - flexible probe - camera with Led lights - 45° mirror - ball direction - protection ring nut.



Length without handle	1000 mm
Probe	Ø 5,5 mm
Digital zoom	4X
Depth of field	50 mm
View	60°
Rechargeable battery	Lithium

E022/5 € 348,00

FLEXIBLE PROBE



Dimensions	Ø 5,5 mm
Length	1070 mm

E022/P € 75,80

FLEXIBLE EXTENSION



Dimensions	Ø 18 mm
Length	2750 mm

M071 € 393,00

STEREO MICROSCOPE



Independent incident and transmitted illumination	12 V - 10 W
Max height of piece to check	75 mm
Power	230 V 50 Hz
Eyepieces	10x
Objectives	2x - 4x
Magnification	20x ÷ 40x

E022/12 € 348,00

FLEXIBLE ENDOSCOPE FOR MECHANICAL USE

With probe Ø 12mm equipped with: 3.5" color lcd screen, flexible probe, camera with Led lights, you can add up to 2 extensions, magnetic terminal, terminal hook, terminal with mirror.



Length without handle	900 mm
Probe	Ø 12 mm
View	0° - 60°
Battery	9 V
Max depth of detecting	50 mm
Distance	2.5 cm - 30 cm
Display	3.5" LCD
Usage time	> 2hr
Working temperature	0°C - 45°C
Storage temperature	-20°C - +60°C
Dimensions	215 x 156 x 96 mm

M069 € 556,00

STEREO MICROSCOPE



Independent transmitted illumination	12 V - 10 W
Working range	165 mm 10x - 119 mm 20x
Power	230 V 50 Hz
Eyepieces	10x - 20x
Objectives	1x - 2x
Magnification	10x ÷ 40x

M072 € 28,70

MAGNIFIER FOR MEASURING



Magnification	10x
Field of view	24 mm
Range	0 ÷ 20 mm
Reading	0,1 mm



P080 € 78,70

DIGITAL CLAMP METER

With LCD display. 7 operating modes: AC current, AC voltage, DC voltage, resistance, continuity, frequency, diode control. High reliability



Box

ACV	4 / 40 / 400 / 600 V ±1,5 % + 4
ACA	4 / 40 / 400 / 600 A ±1,5 % + 4
DCV	4 / 40 / 400 / 600 V ±1,0 % + 2
RES	400 Ω / 4 kΩ / 40 kΩ / 400 kΩ / 4 MΩ / 40 MΩ ±1,0 % + 2
Frequency	10 MHz ±0,8 % + 2
Battery	2 x 1,5 V x AA
Storage temperature	-20°C - 60°C
Working temperature	0°C - 50°C
Dimensions	250 x 71 x 38,8 mm

P075 **PRO** € 132,00

DIGITAL CLAMP METER



Box

ACV	750 V ±1,2 %
ACA	200 - 1000 A ±2,0 %
DCV	1000 V ±1,0 %
DCA	200 - 1000 A ±2,0 %
RES	200 Ω ±1,0 %
Frequency	2k Hz ±2,5 %
Battery	9 V

0013/142 € 1,64

CIRCUIT TESTER SCREWDRIVER

With handle in insulating material, neon light and steel blade



Range	100 ÷ 500 V
Length	142 mm

0013/185 € 1,79

CIRCUIT TESTER SCREWDRIVER

With handle in insulating material, neon light and steel blade



Range	100 ÷ 500 V
Length	190 mm

0446 € 14,00

BATTERY AND CHARGING SYSTEM TESTER

With Led lights that indicate the status of the battery and of the charging system. easy to use.



Battery	11,5 ÷ 12,6V
Charging system voltage range	13,2 ÷ 15,5 V
Cable length	800 mm

T051 € 18,80

POCKET DIGITAL MULTIMETER

Audible continuity and diode test



Box

DCV	2-20-200-500V ±0,5%
ACV	200-500V ±1,2%
DCA	200mA ±1,5%
RES	2K-20K-200K-2M Ω ±1%
Battery	12V

0029 € 5,50

AUTOMOTIVE CIRCUIT TESTER

For the identification of the current in the wires of the cars, with voltage of 6-12-24V.



Voltage	6 - 12 - 24 V
---------	---------------



T050

€ 37,30

DIGITAL MULTIMETER

High accuracy temperature meter, audible continuity and diode test



Box

DCV	200 mV ±0,5%
DCV	2 V - 20 V - 200 V ±0,8%
DCV	1000 V ±0,1%
ACV	2mV - 20 V - 200 V ±1,0%
ACV	750 V ±1,2%
DCA	2 mA - 20 mA ±1,8%
DCA	200 mA ±2,0%
DCA	20 A ±2,0%
ACA	200 mA ±2,0%
ACA	20 A ±3,0%
RES	200 Ω ±1,0%
RES	2KΩ - 20KΩ - 200KΩ - 2MΩ ±1,0%
RES	20 MΩ ± 1.0%
RES	200 MΩ ±5,0%
CAP	2000 pF - 20 nF - 200 nF - 2 μF - 20 μF ±4%
Temperature	-40 °C ÷ 400 °C ±1,0%
Temperature	400 °C ÷ 1000 °C ±1,5%
Battery	9 V



T053

PRO € 89,50

DIGITAL MULTIMETER

High accuracy temperature meter, audible continuity and diode test



Box

DCV	200 mV - 2 V - 20 V - 200 V - 1000 V ±0,8%
ACV	200 mV - 2 V - 20 V - 750 V ±1,2%
DCA / ACA	200 μA - 2 mA - 20 mA - 200 mA - 20 A ±2,0%
RES	200Ω - 2kΩ - 20kΩ - 200kΩ - 2MΩ - 20MΩ - 200MΩ ±1%
CAP	20 nF / 200 nF / 2 μF / 20 μF / 200 μF / 2000 μF ±2,5%
Inductance	2 mH - 20mH - 200 mH - 2 H - 20 H
Battery	9 V
Temperature	-20 °C ÷ 1000 °C
Frequency	10 mHz
hFE transistor test	0 ~ 1000



ML80A

€ 81,00

LASER METER

Handy and lightweight, ideal for the measurements in construction and carpentry, functions: addition, subtraction, area and volume calculation, auto power off



Blister



Range	0,05 ÷ 80 m
Accuracy	±2 mm
Battery	3 AAA x 1,5 V

ML40

€ 60,20

LASER DISTANCE METER

Ideal for the measurements in construction and carpentry, functions: addition, subtraction, area and volume calculation, auto power off



Blister



Range	0,05 ÷ 40 m
Accuracy	± 2 mm
Battery	2 AAA x 1.5 V

T068 € 131,00

LASER POINTER INFRARED TEMPERATURE METER

Not suitable for body temperature measurement



Blister

Range	-30°C÷550 °C -22 F÷1022 F
Accuracy	-30 °C ÷ 0 °C -22 F ÷ 32 F ±3 % or ±3 °C
Accuracy	0 °C ÷ 100 °C 32 F ÷ 212 F ±2 % or ±2 °C
Accuracy	> 100 °C > 212 F ±3 % or ±3 °C
Reading	0,1 °C 0,1 F
Emissivity	0,1 ÷ 1,0
Battery	9 V
Dimensions	146 x 80 x 38 mm
Distance/Spot size	1 : 12

T057 € 224,00

ENVIRONMENTAL TEMPERATURE AND HUMIDITY DIGITAL TESTER

High precision, with micro-computer LSI.



Carrying case

Temperature	-10 °C ÷ +65 °C
Temperature reading	0,1 °C
Temperature accuracy	±0,5 °C
Humidity	10 % ÷ 100 %
Accuracy	2 % ±1 % RH
Battery	4 x 1,5 V AA
Response time	0,4 s
Energy consumption	16 mA
Dimensions	202 x 72 x 37 mm

T054 € 37,30

POCKET DIGITAL TEMPERATURE METER

With environmental and immersion purpose thermocouples



Box

Reading	1 °C
Range	-50°C ÷ 1100°C with not supplied probe T056/TP03, -50°C ÷ 750°C with supplied probe T056/TP02, -50°C ÷ 250°C with suppl
Accuracy	0°C ÷ 500°C ±(0,75% +1°C), 500°C ÷ 750°C ± (1% + 1°C), 750°C ÷ 1000°C ± (2% + 1°C), 1000°C ÷ 1200°C ± (4% + 3°C)
Thermocouple type	"K"
Battery	9 V

T064 € 101,00

LASER POINTER INFRARED TEMPERATURE METER

High precision. Non-contact temperature measurement. Not suitable for human beings



Blister

Range	-25°C÷400 °C -13 F÷752 F
Accuracy	-25 °C ÷ 400 °C ±(2 % + 1 °C)
Accuracy	-13 F ÷ 752 F ±(2 % + 1 F)
Reading	1 °C 2 F
Battery	9 V
Distance/Spot size	1 : 10
Sampling time	0.5 s
Emissivity pre-set	0.95

I002 € 327,00

INDUCTIVE MOISTURE METER FOR MEASURING HUMIDITY

Wood and building materials. With Micro-Computer LSI and crystal timer for high precision. Computer connection for data transfer. Not suitable for measuring environmental humidity.



Carrying case

Working temperature	0 °C - 40 °C
Range	0 - 80 %
Building moisture	0 - 50 %
Reading	0,1 %
Accuracy	± (0,5 % n+1)
Battery	4 x 1,5 V AA
Dimensions	165 x 62 x 26 mm

T063 € 67,40

PORTABLE DIGITAL TEMPERATURE METER

Environmental and immersion purpose thermocouples type "K", double temperature detection, with box.



Box

Range	T056/TP01: -50°C ÷ 250°C
Range	T056/TP02: -50°C ÷ 750°C
Reading	1 °C
Accuracy	-50 °C ÷ 1200 °C ±(0.3 % + 2 °C)
Accuracy	1200°C ÷ 1300 °C ±(0.6 % + 2 °C)
Accuracy	-58 F ~ 1200 F ±(0.3 % + 2 F)
Accuracy	1200 F ~ 1999 F ±(0.6 % + 2 F)
Battery	9 V



T055 € 145,00

PORTABLE DIGITAL TEMPERATURE METER

Environmental and immersion purpose thermocouples type "K" with plastic box.



Box

Range	T056/TP01: -50°C ÷ 250°C
Range	T056/TP02: -50°C ÷ 750°C
Reading	0,1 F
Reading	0,1 °C
Accuracy	±(0,3% n+1.8 F)
Accuracy	±(0,3% n+1 °C)
Dimensions	178 x 68 x 39 mm
Thermocouple length	120 mm
Battery	4 x 1,5 VAA

T056/TP01 € 8,80

ENVIRONMENTAL THERMOCOUPLE "K" TYPE



Range	-50°C ÷ 250°C
Thermocouple type	"K"
Thermocouple length	2 mm

T056/TP02 € 10,80

ENVIRONMENTAL OR IMMERSION THERMOCOUPLE "K" TYPE



Range	-50°C ÷ 750°C
Thermocouple type	"K"
Total length	135 mm

T056/TP03 € 64,40

THERMOCOUPLE "K" TYPE

Environmental or immersion



Range	-50 °C ÷ 1100 °C
Thermocouple type	"K"
Thermocouple length	650 mm

F010 € 308,00

SOUND LEVEL METER

High precision, Fast, Slow Max survey mode. Computer connection for data transfer.



Carrying case

Frequency range	31,5 Hz ÷ 8 kHz
Range	30 dB ÷ 130 dB (A) 32 dB ÷ 130 dB (C) 35 dB ÷ 130 dB (Lineare)
Reading	0,1 dB
Functions	SL, LN, Leq (livello equivalente)
Detection characteristics	Fast, Slow, Max
Sampling time	0,1 s
Display	10 mm
Working temperature	-10 °C ÷ 40 °C
Not included batteries	4 x 1,5 V AAA
Response time	1 s
Dimensions	236 x 63 x 26 mm

A005 € 206,00

DIGITAL ANEMOMETER



Carrying case

AIR SPEED MEASUREMENT	
Measurement	m/s - Km/h - ft/min - Knots
Spindle speed	0,4 ÷ 30,0 / 1,4 ÷ 108 / 80 ÷ 5910 / 0,8 ÷ 58,3
Reading	0,1
Accuracy	± (2%+1 digit) / ± (2%+3 digits) / ± (2%+2 digits) / ± (2%+2 digits)
TEMPERATURE MEASUREMENT	
Range	0°C ÷ 60°C 32 F ÷ 140 F
Reading	0,1° C 0,1 F
Accuracy	0,5°C 0,9 F
Battery	9 V not included

L014 € 72,00

DIGITAL LUXMETER



Carrying case

Range	0 LUX ÷ 2000 LUX ÷ 20000 LUX ÷ 50000 LUX
Reading	1 LUX
Accuracy	± 5 %
Battery	9 V

MD01 € 118,00

METAL DETECTOR

Analogue consisting of 2 color Leds for metal recognition. Audio sensor.



Box

Coil diameter	170 mm
Jack connector	1/4"
Sensitivity	> 15 cm per una moneta di Ø 25 mm
Battery	9 V

C069 € 110,00

CONTACT TYPE DIGITAL TACHOMETER



Carrying case

Round speed	2,5 - 9999,9 rpm
Surface speed	0,05 - 999,99 m/min
Reading	0,1 (7,5 - 999,9) rpm
Reading	1 (1000-9999,9) rpm
Accuracy	± 0,05 % + 1 digit
Dimensions	190 x 72 x 37 mm
Battery	4 x 1,5 V AA

0387A **NEW** € 67,40

DIGITAL MULTI-FUNCTION DETECTOR

For measuring ferrous and non-ferrous metals, wood and live cables in walls, ceilings and floors.



Blister

Max depth of detecting	
Ferrous metal	100 ± 5 mm
No ferrous metal	70 ± 5 mm
Wood	20 ± 5 mm
Depth of AC	50 ± 5 mm
Battery	9 V
Dimensions	150 x 75 x 24 mm

C070 € 154,00

CONTACT AND OPTICAL TYPE DIGITAL TACHOMETER

With reflective stripes



Carrying case

Rotation laser speed	2,5 ÷ 9999,9 rpm
Rotation contact speed	0,05 ÷ 999,9 rpm
Surface speed	0,1 ÷ 999,99 m / min
Reading	0,1 (2,5 ÷ 999,9) rpm
Reading	1 (1000 ÷ 9999,9) rpm
Use distance	da 50 ÷ 60 mm a 50 ÷ 250 mm (con ottico)
Accuracy	± 0,05 % + 1 digit
Dimensions	220 x 75 x 29 mm
Battery	4 x 1,5V AA
Working temperature	0°C ÷ 40°C
Sampling time	0.8 s

C067 € 110,00

PHOTO TYPE DIGITAL TACHOMETER

With reflective stripes



Carrying case

Range	2,5 ÷ 9999,9 rpm
Reading	0,1 (2,5 ÷ 999,9) rpm
Reading	1 (1000 ÷ 9999,9) rpm
Use distance	da 50 ÷ 60 mm a 50 ÷ 250 mm
Accuracy	± 0,05 % of reading + 1 digit
Dimensions	170 x 72 x 37 mm
Battery	4 x 1,5V AA



0543 € 20,80

CAR EMERGENCY DIGITAL TIRE GAUGE

Suitable in emergency conditions, it can be used in 4 different ways: digital tire gauge, Led flashlight, glass breaker hammer, seat belt cutter.



Blister

Range	3÷150 psi 0,21÷10,34 bar 21÷1034 kPa
Working temperature	-20°C ~ +50° C
Battery	2 AA included

V002 € 1080,00

VIBRATION TESTER

Equipped of magnetic probe, 2 ends, software and usb cable



Acceleration	0,1 ÷ 400 m/s ²
Speed	0,01 ÷ 40 cm/s
Max offset	0,001 ÷ 4 mm
Balancing rpm	60 ÷ 99,990
Frequency	1÷20 kHz
Accuracy	± 5 %
Battery	4 x 1,5 V AA

0836 € 17,30

DIGITAL PRESSURE GAUGE

With tyre depth gauge and Led light.



Blister

Range	0,5÷99,5 psi 0,034÷6,86 bar, 3,45÷686 kPa
Accuracy	±1%
Battery	3 x SR44 include

S004 € 1490,00

ULTRASONIC THICKNESS GAUGE



Reading	4-digit LCD
Range	1,0 ÷ 225,0 mm
Accuracy	±0,1 mm
Dimensions	126 x 68 x 23 mm
Battery	2 x 1,5 V AA

0583 € 89,50

BRIX REFRACTOMETER



Carrying case

Range	0 ÷ 80 % Brix
-------	---------------

0433 € 82,10

REFRACTOMETER

Brix, useful to check coolant oils



Carrying case

Range	0 ÷ 32% Brix
-------	--------------

0312 € 89,50

REFRACTOMETER TO MEASURE FREEZING POINT



Carrying case

Range for coolants E	-50 °C ÷ 0 °C
Range for coolants P	-50 °C ÷ 0 °C
Range for battery liquids B	1,10 ÷ 1,40 SG
Range for cleaner liquids C	-40 ÷ 0°C

0312/AB **NEW** € 67,10

REFRACTOMETER FOR AUTOMOTIVE LIQUIDS WITH ADBLUE



Carrying case

Range for coolants E	-40 °C ÷ 0 °C
Range for coolants P	-50 °C ÷ 0 °C
Range for battery liquids B	1,10 ÷ 1,40 SG
AdBlue	30 ÷ 35 %

D007/A

€ 78,50

SHORE "A" DUROMETER

Rubber and soft material hardness tester



Range	0 ÷ 100 A
Reading	2 A

D011/A

€ 137,00

SHORE "A" DIGITAL DUROMETER

Rubber and soft material hardness tester



Range	0 ÷ 100 A
Reading	0.5 A

D011/D

€ 137,00

SHORE "D" DIGITAL DUROMETER

Hard rubber and plastic material hardness tester



Range	0 ÷ 100 D
Reading	0.5 D

P013

€ 143,00

SHORE "A" DUROMETER TEST BLOCK

With variable hardness from 26ha to 88ha. test block colours: purple, brown, green, orange, red, yellow and grey. precision ±2ha



7 Pcs

D018

PRO € 4660,00

HARDNESS TESTING MACHINE

Motorized, rockwell, brinell and vickers



Wooden Box

Test force	294,2 N / 306,5 N / 588,4 N / 612,9 N / 980,7 N / 1471 N / 1839 N; 30 kgf / 31,25 kgf / 60 kgf / 62,5 kgf / 100 kgf / 150 kgf /
Diamond cone and pyramid penetrators	n° 1+1
Steel ball penetrators	n° 3
Flat anvils	n° 2
V - anvil	n° 1
Hardness test blocks	n° 1 Brinell; n° 5 Rockwell; n° 1 Vickers
Magnification	37,5x - 75x
Max Height of tested piece	Rockwell: 175 mm; Brinell - Vickers: 145 mm

Throat depth	160 mm
Power	230 V - 50 / 60 Hz - 6 W
Durometer dimensions	525 x 240 x 730h mm
MEASURE UNITS:	
HBS	4 - 450
HRB	20 - 100
HRA	20 - 88
HRC	20 - 70
HV	200 - 1000
Net weight	70 kg



D001

€ 2430,00

ROCKWELL HARDNESS TESTING MACHINE



Wooden Box

Reading	0,5 HR
Diamond and still ball penetrators	n° 1+1
Flat anvils	n° 2
V - anvil	n° 1
Hardness test blocks	n° 5 (HRC, 3xHRB, HRA)
Max Height of tested piece	170 mm
Throat depth	125 mm
Durometer dimensions	185 x 465 x 640 mm
Test force	588,4 N / 980,7 / 1471 N (60 kgf / 100 kgf / 150 kgf)
MEASURE UNITS:	
HRC	20 ÷ 70
HRB	25 ÷ 100
HRA	20 ÷ 88
Net weight	90 kg



S110

€ 393,00

CONCRETE TEST HAMMER

For measuring the hardness of cement manufactured products



Test force	2.207 Nm
Spring tension	7.84 N
Swing	75 mm

S111

€ 434,00

ANVIL FOR CONCRETE TEST HAMMER SETTING



R004

NEW € 2500,00

PORTABLE DIGITAL SURFACE ROUGHNESS TESTER

For measurement of roughness parameters Rz, Ra, Rq, Ry, Rt, Rv, R3z, R3y, RzJIS, Rsk, Rku, Rsm, Rmr, with USB 2.0 data output, large OLED display with clear reading and with backlight, comprehensive information and graphic representations, diamond tracer tip, 90°, radius 5 µm, contact power 4 mN (0.4 gf), standard acc. to ISO, DIN, ANSI, JIS, digital filter RC, PCRC, Gauss, D-T13565, data memory 2 MB + 2 GB, with built-in and rechargeable Li-Ion battery, automatic power off



Carrying case

Ra	0,005 ÷ 16 µm	Accuracy	$\pm 10\%$
Rq	0,02 ÷ 160 µm	Repeatability	$\pm 6\%$
Cut off	0,25 0,8 2,5	Dimensions	140 x 55 x 47 mm

B031 € 23,10

HIGH ACCURACY DIGITAL POCKET SCALE

Not legal for trade



Box

Capacity	100 g
Reading	0,01 g
Weighing mode	g / dwt / tl / ct

B021 € 18,80

HIGH ACCURACY DIGITAL POCKET SCALE

Not legal for trade. tare and calibration functions



Box

Capacity	500 g
Reading	0,1 g
Weighing mode	g / dwt / gn / ct
Power	2 x 1.5 Vdc Ministilo AAA

B003/5/1 € 33,60

ELECTRONIC DIGITAL SCALE

Not legal for trade, auto power off, tare function



Box

Capacity	5 kg - 176,4 oz
Reading	1 g 0,1 oz
Battery	2 x 1,5V AA
Dimensions	170 x 240 x 35 mm

B018 € 122,00

ELECTRONIC DIGITAL SCALE WITH DOUBLE DISPLAY

Not suitable for dealings with third parties. Equipped with 4 V 4AH battery and charger. Memory for unit values. Calculate total values.



Box

Capacity	30 kg
Reading	10 g
Platform size	340 x 230 mm
Dimensions	350 x 330 x 120 mm
Power	230V 50 Hz
Rechargeable battery	4 V 4 Ah

B004-
RECHARGEABLE ELECTRONIC DIGITAL COUNTER SCALES

Not legal for trade with 6V 4A and transformer.



0561/B € 35,10

SPARE PART BATTERY

For every B004 scale



Box

Art.	€	Capacity	Reading	Scale dimensions	Platform dimensions	Rechargeable battery
B004/7	€ 374,00	7,5 kg	0,2 g	350 x 340 x 105 mm	335 x 228 mm	6 V 4 Ah
B004/30	€ 374,00	30 kg	1 g	350 x 340 x 105 mm	335 x 228 mm	6 V 4 Ah

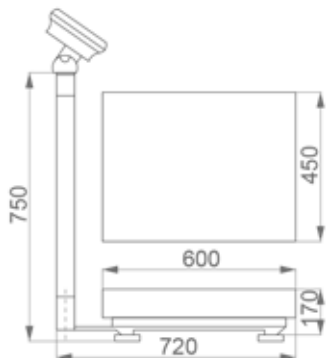


B004/150

€ 729,00

RECHARGEABLE ELECTRONIC DIGITAL COUNTER SCALE

Not legal for trade with 6V 4A battery and transformer.



Box

Capacity	150 kg
Reading	10 g
Rechargeable battery	6 V 4 Ah
Net weight	17 kg

D010-

NEW

DIGITAL CRANE SCALES

With cast aluminum structure, equipped with battery, charger, infrared remote control and sound signal Double unit of measurement kg / lb. With Peak, Hold, Tare, Zero and addition functions. Large fonts for easy reading. Not suitable for relations with third parties.



Box

Art.	€	Digits sizes	Capacity	Reading	Minimum weighing	Max weight	Battery	Net weight
D010/0100	€ 567,00	40 x 20 mm	1000 kg	0.500 kg	0.500 kg	150%	6 V 4 Ah	7,1 kg
D010/0300	€ 683,00	40 x 20 mm	3000 kg	1 kg	1 kg	150%	6 V 4 Ah	7,5 kg
D010/0500	€ 798,00	40 x 20 mm	5000 kg	2 kg	2 kg	150%	6 V 4 Ah	12,3 kg
D010/1000	€ 998,00	40 x 20 mm	10000 kg	5 kg	5 kg	150%	6 V 4 Ah	25,7 kg

D012-

PRO

DIGITAL CRANE SCALES

Equipped with battery, charger, remote control, back light and sound signal Double unit of measurement kg/lb. With Peak, Hold, Tare and Zero functions. Large fonts for easy reading. Not suitable for relations with third parties.



Box

Art.	€	Digits sizes	Capacity	Reading	Minimum weighing	Max weight	Rechargeable battery	Net weight
D012/0100	€ 855,00	40 x 20 mm	1001 kg	0,200 kg	0,200 kg	150%	6 V 10 Ah	12 kg
D012/0300	€ 1010,00	40 x 20 mm	3001 kg	0,500 kg	0,500 kg	150%	6 V 10 Ah	14,5 kg
D012/0500	€ 1170,00	40 x 20 mm	5001 kg	1 kg	1 kg	150%	6 V 10 Ah	19 kg
D012/1000	€ 1390,00	40 x 20 mm	10001 kg	2 kg	2 kg	150%	6 V 10 Ah	32 kg